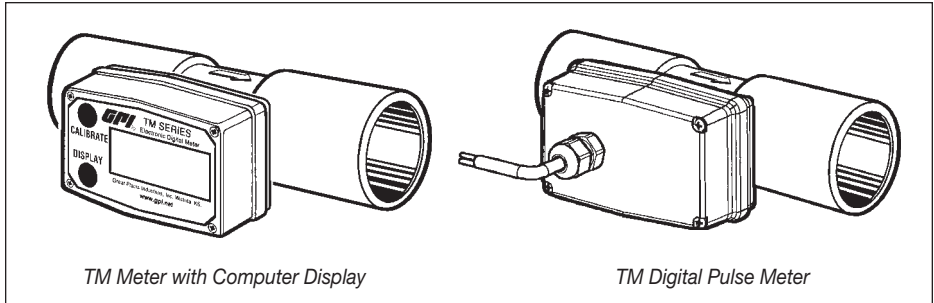


TM Series Electronic Water Meters



User Manual



TM Meter with Computer Display

TM Digital Pulse Meter

TABLE OF CONTENTS

English	1
Español.....	8
Deutsch	15
Italiano	22
Français	29

ENGLISH

IMPORTANT NOTICE

Use TM Series meters with water and other chemicals compatible with wetted components. Do not use to meter fuel or incompatible chemicals. TM Series meters are available with either a computer for local electronic display, or a conditioned signal output module to provide a digital signal to customer interfacing equipment. TM Series meters with computer display measure in gallons or litres. Refer to the Calibration Section for details.

These meters are not legal for trade applications.

TM Series meters are very sensitive to electric noise if operated within 1 to 2 inches of some electric motors or other sources of electronic noise.

INSTALLATION

Connections

Install your meter in-line either horizontally or vertically or at the end of the hose adjacent to the nozzle. Installation to metal connections is not recommended. Install as follows:

1. Plan to install turbine with a minimum straight pipe length as follows:
 - Upstream from the turbine, allow a minimum straight pipe length of 10 times the internal diameter of the turbine.
 - Downstream from the turbine, allow a minimum straight pipe length of 5 times the internal diameter of the turbine.
2. For Spigot (Pipe) End use only primer and solvents approved for PVC gluing.

For NPT and BSP Fittings wrap all connections with 3 to 4 wraps of thread tape (optional to use pipe thread sealant). Make sure the tape does not intrude into the flow path.

- Attach meter with arrow pointed in the direction of fluid flow.
- For NPT and BSP Fittings - Hand tighten the meter at the housing ends. Do not use a wrench or similar tool to tighten. This can damage the housing.

⚠ WARNING

Always use appropriate thread sealant or flange gaskets when connecting product to process piping.

⚠ CAUTION

To protect against leakage, seal all pipe threads with an appropriate sealing compound. Make sure the sealing compound does not intrude into the flow path.

⚠ WARNING

Compatibility of this product's material and the process fluid and/or environment should be considered prior to putting into service.

⚠ WARNING

Product should never be operated outside its published specifications for temperature or pressure. See specifications for your model.

⚠ WARNING

Make sure flow and pressure have been eliminated from process pipe prior to installing or removing product.

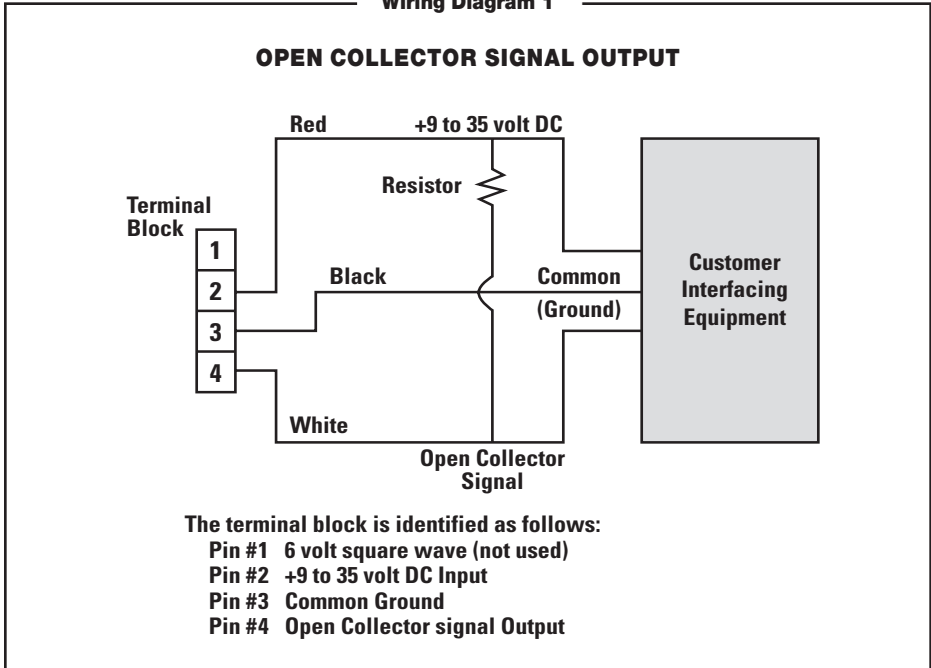
NOTE: If connecting to new male pipe threads, burrs and curls can adversely affect accuracy. Correct the problem prior to turbine installation.

NOTE: Do not over tighten the flange bolts. This may cause the gasket to be compressed into the flow stream and may decrease the accuracy of the meter.

⚠ CAUTION

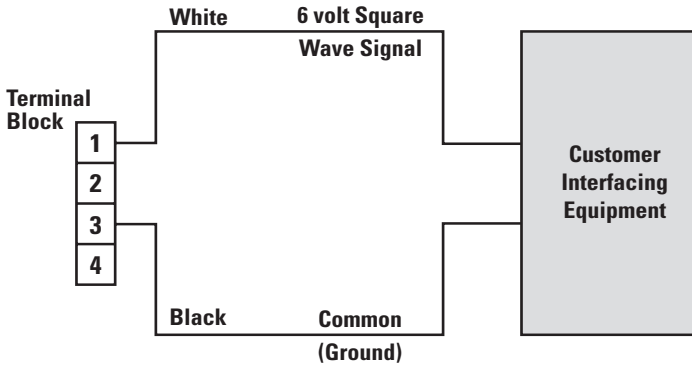
Installation near high electromagnetic fields and high current fields is not recommended and may result in inaccurate readings.

Wiring Diagram 1



Wiring Diagram 2

SQUARE WAVE OUTPUT



The terminal block is identified as follows:

- Pin #1 6 volt square wave
- Pin #2 +9 to 35 volt DC Input (not used)
- Pin #3 Common Ground
- Pin #4 Open Collector signal Output (not used)

Conditioned Signal Output Module Wiring

This conditioned signal output module can be wired to provide an open collector signal output or 6-volt square wave output.

Open Collector Signal Output

To achieve an open collector signal output, reference Wiring Diagram 1. The terminal block is located on the back side of the module. The module is factory assembled for open collector signal output. Please provide the (820 ohm minimum) resistor.

Ten feet (3 m) of cable is provided with the module. Trim it to desired length or extend it as necessary. Distances up to 5,000 feet (1,524 m) can be achieved for open collector signal output.

Square Wave Output

To achieve square wave output, reference Wiring Diagram 2 and use an Electronic Digital Meter Battery Kit (sold separately) for battery power. The terminal block and battery location are located on the back side of the module. Access as follows:

1. Remove the four Phillips-head screws from the front of the module and lift the module from the turbine.
2. To change terminal block connections, loosen the appropriate screws. Reconnect the wires in the proper positions and tighten the screws.
3. Install the batteries. Make sure the positive post is in the correct position.
4. Position the module on the turbine housing. To avoid moisture damage, make sure the seal is fully seated. Tighten the four screws on the front of the module.

Ten feet (3 m) of cable is provided with the module. Trim the cable to desired length or extend it as necessary.

Verify Meter Accuracy

Before using, check the meter's accuracy and verify calibration.

1. Make sure there is no air in the system by starting the flow until it runs steadily. Then, stop or divert the flow using a valve or nozzle.

- Meter an exact known volume into an accurate container. For best results, meter with one continuous full stream.
- Check the volume against the display or recording equipment. If the amount metered is accurate, further calibration is not necessary. If not, refer to the Calibration Section for further instructions.

OPERATION

Computer Display – Batch and Cumulative Totals

The computer maintains two totals. The Cumulative Total provides continuous measurement and cannot be manually reset. The Batch Total can be reset to measure flow during a single use. The Cumulative Total is labeled TOTAL 1, Batch Total is labeled TOTAL 2 BATCH.

When the Cumulative Total reaches a display reading of 999,999 the computer will highlight an X10 icon. This indicates to the operator that a zero must be added to the 6 digits shown. When the next rollover occurs, the computer will highlight an X100 icon. This indicates to the operator that two zeros must be added to the 6 digits shown.

Press the DISPLAY button briefly to switch between the TOTAL 1, TOTAL 2 BATCH and FLOWRATE. Press DISPLAY briefly to display the TOTAL 2 BATCH. Hold the DISPLAY button for 3 seconds to reset the Batch Total to zero.

When fluid is flowing through the meter, a small propeller icon is highlighted.

NOTE: Totalization counts total units without differentiating between gallons, litres or field calibrated units.

Flowrate Feature

To use this feature, press and release DISPLAY button until FLOWRATE icon appears. The factory set time base will be highlighted to the right of FLOWRATE (M = minutes, H = hours, D = days). When FLOWRATE is invoked, the display will be indicating rate of flow.

Activate the Meter

Computer is on continuously and always ready to perform. The computer is powered by field replaceable batteries. When display becomes

dim, faded or the low battery message appears (see below), the batteries need to be replaced. Reference the Maintenance Section for details.



Factory and Field Calibration

All calibration information is visible to the user as icons on the top line of the display, above the numeric digits.

All units are configured with a “factory” calibration. Both gallons and litres are available (“GL” or “LT” will be displayed). While holding the CALIBRATE button, briefly press DISPLAY to toggle between gallons and litres. This factory calibration (indicated with FAC) is permanently programmed into the computer and is not user adjustable.

NOTE: Your computer may have other units of measure programmed into it. If so, holding the CALIBRATE button and momentarily pressing the DISPLAY button will toggle through all factory set units. Other possible units are: IGL (imperial gallon), QT (quart), CF (cubic feet), CM (cubic meter), BL (42 gal. barrel), CC (cubic centimeter) or OZ (ounce).

Switching between different units will not corrupt the Total’s contents. For example, in GL mode, the computer totalizes 10.00 gallons, if the user switches to LT mode, the display will read 37.85 litres (the same volume, different unit).

The “field” calibration may be set by the user, and can be changed or modified at any time using the calibration procedure described in the Calibration Section. Totals or flowrate derived from the field calibration are invoked when the FAC icon is no longer visible on the top line of the display.

CALIBRATION

Verify Accuracy Before Beginning Field Calibration

For the most accurate results, dispense at a flowrate which best simulates your actual operating conditions. Avoid “dribbling” more fluid or repeatedly starting and stopping the flow. This can result in less accurate calibrations.

Make sure you meet the meter’s minimum flowrate requirements:

TM Series Meters

½ inch meter	1 GPM (3.8 LPM)
¾ inch meter	2 GPM (7.5 LPM)
1 inch meter	5 GPM (18.8 LPM)
1 ½ inch meter	10 GPM (37.5 LPM)
2 inch meter	20 GPM (75 LPM)

The use of a uniformly dependable, accurate calibration container is recommended for the most accurate results. Due to high flowrate, it is strongly recommended that calibration be completed with a combination of volume and weight using fine resolution scales.

For best results, the meter should be installed and purged of air before field calibration.

Field Calibration with Computer Display

Field Calibration and Factory Calibration are defined in the Operation Section. Factory calibration settings are programmed into each computer during manufacturing, using water at 70° F (21° C). Readings using the Factory Calibration (FAC) may not be accurate in some situations, for example, under extreme temperature conditions, non-standard plumbing configurations or with fluids other than water.

Field Calibration Procedures (Correction Factor Method)

1. To calibrate, press and hold the CALIBRATE and DISPLAY buttons for about 3 seconds until you see FLdCAL. Release both buttons and you will see CF - 00.0. You are now in the field calibration mode and values from -99.9% to +99.9% can be entered.
2. The +/- position appears either as an “underscore” character for plus, or as a “hyphen” character for minus. The DISPLAY button selects the position and the CALIBRATE button toggles this character.
3. The DISPLAY button can then be pushed to select the numeric positions. Press the CALIBRATE button to scroll from 0 to 9. Enter the percentage of change you want the display to correct. When satisfied with the value, press both CALIBRATE and DISPLAY buttons simultaneously. CAEnd will be displayed and unit will go back to normal operation, less the FAC (factory calibration) icon.

4. All enabled units-of-measure remain visible and selectable – the entered correction will be applied to all enabled units.
5. To return to factory calibration (FAC), press and hold both CALIBRATE and DISPLAY buttons for about 3 seconds until FACAL is displayed. Then release buttons. Unit should return to normal operation and FAC icon is visible.

Calibration with Conditioned Signal Output Module

The K-factor of your meter appears on the calibration report as the number of pulses per gallon. The factor is determined during production using water at 70° F (21° C). This K-factor may be used for “single point” calibration and provide acceptable accuracy. However, readings may not be accurate when using this calibration method in some situations. For example, extreme temperature conditions, non-standard plumbing configurations or with fluids other than water.

MAINTENANCE

Proper handling and care will extend the life and service of the meter.

Turbine Rotor

The meter is virtually maintenance-free. However, it is important the rotor moves freely. Keep the meter clean and free of contaminants.

If the rotor does not turn freely, apply a penetrating lubricant on the rotor, shaft and bearings. Remove any debris or deposits from the rotor using a soft brush or small probe. Be careful not to damage the turbine rotor or supports.

CAUTION

Blowing compressed air through the turbine assembly could damage the rotor.

CAUTION

Do not allow liquids to dry inside the turbine.

CAUTION

Handle the rotor carefully. Small scratches or nicks can affect accuracy.

Battery Replacement

The computer display is powered by two 3-volt lithium batteries which may be replaced while the meter is installed. When batteries are removed or lose power, the batch and cumulative totals and the field and factory calibrations are retained.

⚠ WARNING

(Battery) – Avoid mechanical or electrical abuse. Batteries may explode or cause burns, if disassembled, crushed or exposed to fire or temperatures in excess of 212°F (100°C). Do not short circuit or install with incorrect polarity. DO NOT INCINERATE.

⚠ CAUTION

Batteries should ONLY be replaced with P/N 113520-1 Kit (Includes two each P/N 902004-2 Batteries). Do not mix old with new. Do not use other brands or technologies.

Open battery cells should be disposed of in accordance with local regulations. Lithium batteries are best disposed of as a non-hazardous waste when fully or mostly discharged. EPA does not list or exempt Lithium as a hazardous waste. If waste lithium batteries are still fully charged or only partially discharged, they can be considered a reactive hazardous waste because of unconsumed lithium remaining in the battery. Such batteries may qualify as “Universal Waste” in many jurisdictions within the U.S. and thus can be shipped for disposal or recycling in accordance with Universal Waste requirements.

If the display becomes dim, blank or the low battery message appears (see below), replace the batteries as follows:



1. Remove the four Phillips-head screws from the face of the meter and lift the faceplate from the turbine.
2. Remove the old batteries and clean any corrosion from the terminals.
3. Install new batteries. Make sure the positive post is in the correct position.

4. When the batteries are replaced, the faceplate will power ON. Check the display to ensure normal functions have resumed before assembling again.
5. Reseat batteries, if necessary, and position the faceplate on the turbine housing. To avoid moisture damage, make sure the seal is fully seated. Tighten the four screws on the faceplate.

SPECIFICATIONS

Inlet and Outlet:

Spigot (Pipe) End Models:

TM050/TM050-P	½ inch Schd. 80, Spigot (Pipe)
TM075/TM075-P	¾ inch Schd. 80, Spigot (Pipe)
TM100/TM100-P	1 inch Schd. 80, Spigot (Pipe)
TM150/TM150-P	1 ½ inch Schd. 80, Spigot (Pipe)
TM200/TM200-P	2 inch Schd. 80, Spigot (Pipe)

NPT Models:

TM050-N/TM050-N-P	½ inch NPT
TM075-N/TM075-N-P	¾ inch NPT
TM100-N/TM100-N-P	1 inch NPT
TM150-N/TM150-N-P	1 ½ inch NPT
TM200-N/TM200-N-P	2 inch NPT

BSP Models:

TM100-B/TM100-B-P	1 in. BSP
TM150-B/TM150-B-P	1 ½ in. BSP
TM200-B/TM200-B-P	2 in. BSP

Design Type: Turbine

Wetted Components:

Housing: PVC
Journal Bearings: Ceramic
Shaft: Tungsten Carbide
Rotor and Supports: PVDF
Retaining Washer: Stainless Steel

Max. Working Pressure:

225 PSIG @ 73° F
BSP: 150 PSIG @ 73° F

U.S. Measurement

Unit of Measure: Gallon

Flow Range:

½ inch	1 - 10 GPM
¾ inch	2 - 20 GPM
1 inch	5 - 50 GPM
1 ½ inch	10 - 100 GPM
2 inch	20 - 200 GPM

Accuracy with Computer: ± 3.0% of reading (Accuracy can be improved with field calibration)

Operating Temperature: +32° to +140° F
(Do not allow fluid to freeze inside meter.)

Storage Temperature: -40° to +158° F

Product Weight:*

	Spigot (Pipe)	NPT	BSP
½ in.	.38 lbs.	.55 lbs.	N/A
¾ in.	.43 lbs.	.67 lbs.	N/A
1 in.	.49 lbs.	.84 lbs.	.84 lbs.
1 ½ in.	.66 lbs.	1.38 lbs.	1.47 lbs.
2 in.	.78 lbs.	1.78 lbs.	1.93 lbs.

Dimensions - Inches (W x H x L):**

	Without Fitting	With NPT Fitting
½"	2.1 x 2.5 x 4.3	2.1 x 2.7 x 6.0
¾"	2.1 x 2.7 x 4.4	2.1 x 2.9 x 6.1
1"	2.1 x 2.9 x 4.5	2.1 x 3.1 x 6.5
1 ½"	2.1 x 3.6 x 5.4	2.3 x 3.8 x 7.6
2"	2.4 x 4.1 x 5.5	3.5 x 4.4 x 7.9

	With BSP Fitting
½"	N/A
¾"	N/A
1"	2.1 x 3.1 x 6.7
1 ½"	2.2 x 3.7 x 7.6
2"	2.7 x 4.2 x 7.8

* Weight with computer display. Conditioned signal output module adds .30 lbs.

** Dimensions with computer display. Conditioned signal output module adds 1.1 inch to height.

Metric Measurement

Unit of Measure: Litre

Flow Range:

½ inch	3.8 - 38 LPM
¾ inch	7.6 - 76 LPM
1 inch	19 - 190 LPM
1 ½ inch	38 - 380 LPM
2 inch	76 - 760 LPM

Accuracy with Computer: ± 3.0% of reading (Accuracy can be improved with field calibration)

Operating Temperature: 0° to +60° C
(Do not allow fluid to freeze inside meter.)

Storage Temperature: -40° to +70° C

Product Weight:*

	Spigot (Pipe)	NPT	BSP
½ inch	.172 kg	.249 kg	N/A
¾ inch	.195 kg	.304 kg	N/A
1 inch	.222 kg	.381 kg	.381 kg
1 ½ inch	.299 kg	.626 kg	.666 kg
2 inch	.354 kg	.807 kg	.875 kg

Dimensions - cm (W x H x L):**

	Without Fitting	With NPT Fitting
½"	5.3 x 6.4 x 10.9	5.3 x 6.9 x 15.2
¾"	5.3 x 6.9 x 11.2	5.3 x 7.3 x 15.5
1"	5.3 x 7.4 x 10.9	5.3 x 7.9 x 16.5
1 ½"	5.3 x 9.1 x 13.7	5.8 x 9.7 x 19.3
2"	6.1 x 10.4 x 14.0	8.9 x 11.2 x 20.0

	With BSP Fitting
½"	N/A
¾"	N/A
1"	5.3 x 7.9 x 17.0
1 ½"	5.6 x 9.4 x 19.3
2"	6.9 x 10.7 x 19.8

* Weight with computer display. Conditioned signal output module adds .14 kg.

** Dimensions with computer display. Conditioned signal output module adds 2.8 cm to height.

PARTS

The following replacement parts and accessories are available for the TM Series meters:

Part No.	Description
113435-1	Conditioned Signal Output Module
113520-1	Battery Replacement Kit
116000-1	Calibration Container, Large (5 gallon)
125508-03	½ inch, Turbine Assy Kit
125508-04	½ inch NPT, PVC Turbine Assy Kit
125510-03	¾ inch, Turbine Assy Kit
125510-04	¾ inch NPT, PVC Turbine Assy Kit
125512-03	1 inch, Turbine Assy Kit
125512-04	1 inch NPT, PVC Turbine Assy Kit
125514-03	1 ½ inch, Turbine Assy Kit
125514-04	1 ½ inch NPT, PVC Turbine Assy Kit
125516-03	2 inch, Turbine Assy Kit
125516-04	2 inch NPT, PVC Turbine Assy Kit
901002-52	Seal
125512-05	1 inch BSP, PVC Turbine Assy Kit
125514-05	1 ½ inch BSP, PVC Turbine Assy Kit
125516-05	2 inch BSP, PVC Turbine Assy Kit

Computer Kits:

125509-03	½ inch, Computer Assy Kit
125511-03	¾ inch, Computer Assy Kit
125513-03	1 inch, Computer Assy Kit
125515-03	1 ½ inch, Computer Assy Kit
125517-03	2 inch, Computer Assy Kit

SERVICE

For warranty consideration, contact your local distributor. If you need further assistance, contact the GPI Customer Service Department at:

1-888-996-3837

You will need to:

- Provide information from the decal on your meter.
- Receive a Return Authorization number.
- Flush any fluid from the meter before shipping to the factory.

If possible leave customer installed fittings or ample length of bare pipe for reinstallation.

⚠ CAUTION

Do not return the meter without specific authority from the GPI Customer Service Department. Due to strict regulations governing transportation, handling, and disposal of hazardous or flammable liquids, GPI will not accept meters for rework unless they are completely free of liquid residue.

WEEE DIRECTIVE



The Waste Electrical and Electronic Equipment (WEEE) directive (2002/96/EC) was approved by the European Parliament and the Council of the European Union in 2003. This symbol indicates that this product contains electrical and electronic equipment that may include batteries, printed circuit boards, liquid

crystal displays or other components that may be subject to local disposal regulations at your location. Please understand those regulations and dispose of this product in a responsible manner.

RoHS Compliant (2011/65/EU)

This product is in compliance with the RoHS Directive of the European Parliament and of the Council on the Restriction of the Use of Certain Hazardous Substances in Electrical and Electronic Equipment.

Environmental Rating: IP65

ESPAÑOL

AVISO IMPORTANTE

Utilizar los medidores de los Series del TM con agua y otros productos químicos que son compatibles con los componentes que se exponen al líquido. No utilizar este medidor con combustible u otros productos químicos incompatibles. Los medidores de la serie de TM están disponibles con una computadora para la visualización electrónica local, o un módulo de salida condicionado de la señal que proporcione una señal numérica al equipo de interconexión del cliente. Los medidores de las Series TM miden en galones o litros. Referirse a la sección de la calibración para mayores detalles.

Estos medidores no son legales para las aplicaciones comerciales.

Los medidores de las Series TM son muy sensibles a interferencia electrónica si funcionan a 1 o 2 pulgadas de algunos motores eléctricos o de otras fuentes del uso electrónico.

INSTALACIÓN

Conexiones

Instalar su medidor en línea, u horizontalmente, o verticalmente, o en el extremo de la manguera adyacente al inyector. No se recomienda la instalación a las conexiones de metal. Siga estos pasos para instalar:

1. Planee instalar la turbina con una longitud mínima de la pipa recta de esta manera:
 - Contra la corriente de la turbina, permita a una longitud mínima de la pipa recta de 10 veces el diámetro interno de la turbina.
 - Con la corriente de la turbina, permita una longitud mínima de la pipa recta de 5 veces el diámetro interno de la turbina.
2. Para Espita (Enchufe macho) Fin utilizar solamente los solventes aprobados para pegar PVC.

Para conexiones NPT y BSP envuelva todas las conexiones con 3 a 4 vueltas de cinta para roscado (es opcional usar sellador para roscas de tubería). Compruebe que la cinta no interfiera con el paso del caudal.

- Coloque el medidor con la flecha orientada en sentido del caudal del líquido.
- Para conexiones NPT y BSP - Ajuste manualmente el medidor en los extremos del alojamiento. No utilice una llave ni una herramienta similar para el ajuste. De esa manera puede dañar el alojamiento.

⚠ ADVERTENCIA

Antes de la puesta en servicio, se deben tener en cuenta la compatibilidad del material de este producto y el líquido y/o el entorno del proceso.

⚠ ADVERTENCIA

Al operar el producto nunca se deben exceder las especificaciones publicadas para la temperatura o la presión. Consulte las especificaciones para su modelo.

⚠ ADVERTENCIA

Compruebe que se hayan eliminado el flujo y la presión de la tubería de proceso antes de instalar o retirar el producto.

⚠ ADVERTENCIA

Utilice siempre sellador de roscas o juntas de brida adecuados al conectar el producto a la tubería de proceso.

⚠ PRECAUCIÓN

A fin de brindar protección contra pérdidas, selle todas las roscas de la tubería con un compuesto sellador adecuado. Compruebe que el compuesto sellador no se introduzca en el paso del flujo.

NOTA: Si se conecta a roscas macho de tubería nuevas, las rebabas y las curvaturas pueden afectar negativamente la precisión. Corrija el problema antes de instalar la turbina.

NOTA: No apriete excesivamente los pernos de brida. Si lo hace, puede hacer que se comprima la junta hacia el caudal de flujo y se puede reducir la precisión del medidor.

⚠ PRECAUCIÓN

Sedebeevitarlainstalaciónenproximidades de campos electromagnéticos potentes y campos de corriente potentes, ya que puede generar lecturas imprecisas.

Señal de Salida Condicionada Cableado de Módulo

Este módulo de Señal de salida condicionada se puede conectar para proporcionar una salida de colector abierta o de señal de onda cuadrada de 6-voltios.

Señal de Salida de Colector Abierto

Para alcanzar una señal de salida de colector abierto, refierase por favor al digrama eléctrico 1. El bloque de terminales está situado en el lado trasero del módulo. El módulo viene montado de fábrica para señal de colector abierta. Por favor proporcionar el resistor de un mínimo de 820 ohmios.

Diez pies (3 m) de cable se proporcionan con el módulo. Ajustar el cable a la longitud deseada o extender el cable cuanto le sea necesario. Se puede alcanzar una señal de salida de colector abierto hasta distancias de 5.000 pies (1,524 m).

Salida de Corrente de Onda Cuadrada

Para lograr una salida de corriente de onda cuadrada, refierase por favor al digrama eléctrico 2 y utilice un kit electrónico de batería del medidor digital (vendido por separado) para la fuente de energía de la batería. El bloque de terminales y la localización de la batería están situados en el lado trasero del modulo. Acceda al módulo de la siguiente manera:

- Quitar los cuatro tornillos de cabeza Phillips del frente del módulo. Levantar el módulo de la turbina.
- Para cambiar las conexiones del bloque de terminales, aflojar los tornillos apropiados. Volver a conectar los alambres en las posiciones apropiadas y apretar los tornillos.
- Instalar las baterías. Cerciorarse de que el poste positivo esté en la posición correcta.
- Colocar el módulo en la cubierta de la turbina. Para evitar daños causados por la humedad, cerciorarse de que el anillo esté asentado completamente. Apretar los cuatro tornillos en el frente del módulo.

Diez pies (3 m) de cable se proporcionan con el módulo. Ajustar el cable a la longitud deseada o extender el cable cuanto le sea necesario.

Verificar la Exactitud del Metro

Antes de usar, comprobar la exactitud del metro y verificar la calibración.

1. Cerciorarse de que no haya aire en el sistema comenzando el flujo hasta que funciona constantemente. Entonces, detener o desviar el flujo mediante una válvula o la boquilla.
2. Con el medidor, mida un volumen exacto en un envase exacto. Para mejores resultados, medir con una corriente completa y continua.
3. Comprobar el volumen con lo indicado en la pantalla o el equipo de grabación. Si la cantidad medida es exacta, no es necesario mayor calibración. Si no, referir a la sección de la calibración.

OPERACIÓN

Pantalla de la Computadora – Lotes y Totales Acumulativos

El computadora mantiene dos totales. El total acumulativo proporciona la medida continua y no puede ser reajustado manualmente. El total de hornada se puede reajustar para medir el flujo durante una sola vez. El total acumulativo se etiqueta con el TOTAL 1 LOCKED. Esto indica que el total esta bloqueado y no puede ser puesto a cero manualmente. El total acumulado es etiquetado con TOTAL 1, lote total se etiqueta TOTAL 2 BATCH.

Cuando el total acumulado llega a una lectura de la pantalla de la computadora 999.999 resaltar un icono de X10. Esto indica al operador que un cero se debe agregar a los 6 dígitos que se muestran. Cuando el traspaso se produzca la próxima vez, el equipo se hará hincapié en un icono X100. Esto indica al operador que dos ceros se debe agregar a los 6 dígitos que se muestran.

Pulse brevemente el botón DISPLAY para cambiar entre el TOTAL 1, TOTAL 2 BATCH y la configuración FLOWRATE. Pulse brevemente DISPLAY para mostrar un total de TOTAL 2 BATCH. Mantenga pulsado el botón DISPLAY durante 3 segundos para restablecer el lote total a cero.

Cuando el líquido fluye a través del medidor, un icono de hélice está resaltado.

NOTA: Totalization cuenta las unidades totales sin distinguir entre los galones, los litros o las unidades calibradas de campo.

Atributo del Índice de Flujo

Para utilizar esta función, pulse el botón DISPLAY y la FLOWRATE hasta que el icono aparece. La fábrica del conjunto de base de tiempo se pondrá de relieve a la derecha del caudal de agua (M = minutos, h = horas, D = días). Cuando el caudal de agua fluye, en la pantalla se indica la velocidad de flujo.

Para Activar el Contador

El ordenador está encendido continuamente y siempre dispuesto a operar. El equipo es alimentado por baterías reemplazables de campo. Cuando la pantalla se vuelve opaco, desenfocado o el mensaje de batería baja (vea más abajo), las baterías necesitan ser reemplazadas. Referencia de la sección de mantenimiento para más detalles.



Calibración de Campo de Fábrica

Toda la información de calibración es visible para el usuario como iconos en la línea superior de la pantalla, por encima de los dígitos numéricos.

Todas las unidades están configurados con una calibración de fábrica. Ambos galones y litros están disponibles (“GL” o “LT” se mostrará). Mientras mantiene el botón CALIBRATE, pulse DISPLAY para cambiar entre galones y litros. Esta calibración de fábrica (se indica con FAC) está programada permanentemente en la computadora y no es ajustable por el usuario.

NOTA: El equipo puede tener otras unidades de medida programada en ella. Si es así, manteniendo pulsado el botón CALIBRATE y momentáneamente pulsando el botón DISPLAY, se activará a través de todas las unidades de conjunto de la fábrica. Otras unidades posibles son: IGL (galón imperial), QT (cuarto), CF (pies cúbicos), CM (metros cúbicos), BL (42 gal. Barril), CC (centímetros cúbicos) o OZ (onzas).

El cambiar entre diferentes unidades no dañará el Total. Por ejemplo, en el modo de GL, el equipo totaliza 10,00 galones, si el usuario cambia a modo de LT, la pantalla se leerá 37,85 litros (el mismo volumen, las diferentes unidades).

Los “campos” de calibración pueden ser configurados por el usuario, y puede ser cambiado o modificado en cualquier momento mediante el procedimiento de calibración se describe a continuación en la sección de calibración. De los totales o caudal de agua derivada de la calibración de campo se invoca cuando el icono de la FAC ya no es visible en la línea superior de la pantalla.

CALIBRACIÓN

Favor de Verificar la Precisión Antes de Iniciar la Calibración de Campo

Para resultados más exactos, dispense un índice de flujo que simule lo mejor posible sus condiciones de funcionamiento reales. Evite “de gotear” más líquido o en varias ocasiones, o el comenzar y de parar el flujo. Estas acciones darán como resultado calibraciones menos exactas.

Cerciórese de reunir todos los requisitos mínimos del índice de flujo del medidor:

Metros de la Serie TM

Medidores de ½ pulgada de 1 GPM (3,8 LPM)

Medidores de ¾ pulgada de 2 GPM (7,5 LPM)

Medidores de 1 pulgada de 5 GPM (18,8 LPM)

Medidores de 1 ½ pulgadas de 10 GPM (37,5 LPM)

Medidores de 2 pulgadas de 20 GPM (75 LPM)

Se recomienda para resultados más exactos de la calibración el uso de un envase uniforme, confiable, y exacto. Debido al alto índice de flujo, se recomienda que la calibración esté terminada con una combinación de volumen y de peso usando escalas de alta resolución.

Para mejores resultados, el medidor se debe instalar y purgar del aire antes de la calibración de campo.

Calibración de Campo con Ordenador de Pantalla

La calibración de campo y de fábrica se definen en la Sección de Operaciones. Parámetros de calibración de fábrica son personalizados programado en cada equipo durante la fabricación, el uso de agua a 70° F (21° C). Lecturas utilizando la calibración de fábrica (FAC), puede no ser exacta en algunas situaciones, por ejemplo,

bajo condiciones de temperatura extrema, las configuraciones de plomería estándar o con otros líquidos distintos del agua.

Procedimientos de Calibración de Campo (Método de Factor de Corrección)

1. Para calibrar, presione y mantenga los botones de CALIBRATE y DISPLAY durante unos 3 segundos hasta que aparezca FLd-CAL. Suelte los botones y podrás ver CF - 00.0. Ahora está en el modo de calibración de campo y los valores de -99,9% a 99,9% pueden ser introducidos.
2. El + / - posición aparece como subrayan un “carácter” de más, o como un carácter “hyphen” para menos. El botón DISPLAY selecciona la posición y el botón CALIBRATE cambia este personaje.
3. El botón DISPLAY puede ser empujado a seleccionar las posiciones numéricas. Pulse el botón CALIBRATE para desplazarse desde 0 hasta 9. Introduzca el porcentaje de cambio que desea que la pantalla correcta. Cuando esté satisfecho con el valor, pulse dos CALIBRATE y DISPLAY botones simultáneamente. CALend se mostrará y la unidad volverá al funcionamiento normal, menos el icono de la FAC (calibración de fábrica).
4. Todas las unidades habilitadas de medida siguen siendo visibles y seleccionables - dentro en la corrección se aplicará a todas las unidades habilitadas.
5. Para volver a la calibración de fábrica (FAC), presione y mantenga CALIBRATE y DISPLAY de botones de la pantalla durante unos 3 segundos hasta que aparezca FACAL. Luego suelte botones. La unidad debe volver al funcionamiento normal y el icono de FAC visible.

Calibración Con el Módulo de Señal de Salida Condicionada

El factor K de su medidor aparece en el informe de la calibración como el número de pulsos por galón. El factor se determina durante la producción usando el agua a 70° F (21° C). Este factor K se puede utilizar para la calibración de “un solo punto” y proporcionará una exactitud aceptable. Sin embargo, las lecturas pueden no ser exactas cuando usted utiliza este método de la

calibración en algunas situaciones. Por ejemplo, las condiciones extremas de temperatura, las configuraciones de plomería estándar o con otros líquidos distintos del agua.

MANTENIMIENTO

La utilización y el cuidado apropiados ampliarán la vida y el servicio del medidor.

Rotor de Turbina

El medidor prácticamente no tiene necesidad de mantenimiento. Sin embargo, es importante que los movimientos del rotor ocurran libremente. Mantener el medidor limpio y libre de contaminantes.

Si el rotor no da vuelta libremente, aplicar un lubricante penetrante en el rotor, el eje y los rodamientos. Quitar cualquier desecho o depósito del rotor usando un cepillo suave o una punta de prueba pequeña. Tenga cuidado de no dañar el rotor de turbina o los soportes.

⚠ PRECAUCIÓN

El aire comprimido a través del montaje de la turbina podría dañar el rotor.

⚠ PRECAUCIÓN

No permita que los líquidos se sequen en el interior de la turbina.

⚠ PRECAUCIÓN

Manipule el rotor cuidadosamente. Las rayas y picaduras pequeñas pueden afectar a la precisión.

Reemplazo de la Batería

El pantalla de la computadora funciona a través de dos baterías del litio de 3-voltios que puedan ser substituidas mientras que el medidor está instalado. Cuando las baterías se retiran o pierden fuerza, el lote, y el total acumulado y el de campo, y la calibración de fábrica se conservan.

Si la pantalla se vuelve oscura, en blanco o el mensaje de batería baja (vea más abajo), reemplazar las baterías de la siguiente manera:

⚠ ADVERTENCIA

(Batería) – Evite el uso mecánico o eléctrico indebido. Las baterías pueden explotar o causar quemaduras, si se las desarma, aplasta o expone al fuego o a temperaturas que superen los 212° F (100° C). No cortocircuite ni instale con la polaridad incorrecta. NO QUEMAR EN INCINERADOR.

⚠ PRECAUCIÓN

Las baterías se deben reemplazar ÚNICAMENTE por el kit P/N 113520-1 (incluye dos de cada una P/N 902004-2). No mezcle baterías viejas con las nuevas. No utilice otras marcas o tecnologías.

Las celdas de baterías abiertas deben desecharse de conformidad con las normativas locales. Las baterías de litio es mejor desecharlas como residuos no peligrosos cuando están completa o mayormente descargadas. La EPA no menciona ni exceptúa al litio como residuo peligroso. Si las baterías de litio a desechar están aún completamente cargadas o sólo parcialmente descargadas, se las puede considerar como un residuo reactivo peligroso debido al litio sin consumir que queda en la batería. Tales baterías pueden calificar como “Residuos universales” en numerosas jurisdicciones de los Estados Unidos y así pueden enviarse para desecharlas o reciclarlas de conformidad con los requisitos para los Residuos universales.

LoBatt

1. Quitar los cuatro tornillos de la cara del metro y levantar la placa frontal de la turbina.
2. Quitar las viejas baterías y limpiar cualquier corrosión de los terminales.
3. Instalar las baterías nuevas. Cerciorarse de que el poste positivo esté en la posición correcta.
4. Cuando se substituyen las baterías, la placa frontal estará encendida. Comprobar la exhibición para asegurarse de que las funciones normales han resumido antes de montar otra vez.
5. Volver a sentar las baterías, en caso necesario, colocar la placa frontal en la cubierta de la turbina. Evite el daño causado por la

humedad, cerciorarse de que el anillo esté asentado completamente. Apretar los cuatro tornillos en la placa frontal.

ESPECIFICACIONES

Entrada y Enchufe:

Modelos de Espita (Enchufe macho)

TM050/TM050-P	½ pulgada de 80, Espita (Enchufe macho)
TM075/TM075-P	¾ pulgada de 80, Espita (Enchufe macho)
TM100/TM100-P	1 pulgada de 80, Espita (Enchufe macho)
TM150/TM150-P	1 ½ pulgada de 80, Espita (Enchufe macho)
TM200/TM200-P	2 pulgada de 80, Espita (Enchufe macho)

Modelos de NPT

TM050-N/TM050-N-P	½" de NPT
TM075-N/TM075-N-P	¾" de NPT
TM100-N/TM100-N-P	1" de NPT
TM150-N/TM150-N-P	1 ½" de NPT
TM200-N/TM200-N-P	2" de NPT

Modelos BSP:

TM100-B/TM100-B-P	1 pulgada BSP
TM150-B/TM150-B-P	1 ½ pulgada BSP
TM200-B/TM200-B-P	2 pulgada BSP

Tipo del Diseño: Turbina

Componentes Mojados:

Cubierta: PVC
Rodamientos: De Cerámica
Eje: Carburo De Tungsteno
Rotary Soportes: PVDF
Arandela De Retención: Acero Inoxidable

Máxima Presión de Trabajo:

225 PSIG @ 73° F
BSP: 150 PSIG @ 73° F

Medidas de Estados Unidos

Unidad de la Medida: Galón

Gama del Flujo:

½ pulgada	1 - 10 GPM
¾ pulgada	2 - 20 GPM
1 pulgada	5 - 50 GPM
1 ½ pulgada	10 - 100 GPM
2 pulgada	20 - 200 GPM

Exactitud con la Computadora: ±3.0% de la lectura (la exactitud se puede mejorar con la calibración del campo)

Temperatura de Funcionamiento:

+32° a +140° F (No permitir que el líquido se congele dentro del metro.)

Temperatura del Almacenaje:

-40° a +158° F

Peso del Producto - lbs. :*

	Espita (Enchufe Macho)		
	NPT	BSP	
½ pulgada	,38	,55	N/A
¾ pulgada	,43	,67	N/A
1 pulgada	,49	,84	,84 lbs.
1 ½ pulgada	,66	1,38	1,47 lbs.
2 pulgada	,78	1,78	1,93 lbs.

Dimensiones - Pulgadas (L x H x W):**

	Sin Conexión	Con conexión NPT
½"	2,0 x 2,6 x 3,8	2,0 x 2,8 x 5,5
¾"	2,0 x 2,7 x 3,8	2,0 x 2,9 x 5,5
1"	2,0 x 3,1 x 4,1	2,0 x 3,3 x 6,2
1 ½"	2,1 x 3,7 x 5,4	2,3 x 3,9 x 7,6
2"	2,4 x 4,2 x 5,5	3,5 x 4,5 x 7,9
	Con conexión BSP	
½"	N/A	
¾"	N/A	
1"	2,1 x 3,1 x 6,7	
1 ½"	2,2 x 3,7 x 7,6	
2"	2,7 x 4,2 x 7,8	

* El peso con la pantalla de la computadora. El módulo de señal de salida condicionada agrega ,30 libras.

** Las dimensiones con la pantalla de la computadora. El módulo señal de salida condicionada agrega 1,1 pulgadas a la altura.

Medida Métrica

Unidad de la Medida: Litro

Gama del Flujo:

½ pulgada	3,8 - 38 LPM
¾ pulgada	7,6 - 76 LPM
1 pulgada	19 - 190 LPM
1 ½ pulgada	38 - 380 LPM
2 pulgada	76 - 760 LPM

Exactitud con la Computadora: ±3.0% de la lectura (la exactitud se puede mejorar con la calibración del campo)

Temperatura de Funcionamiento:

0° a +60° C (No permitir que el líquido se congele dentro del metro.)

Temperatura del Almacenaje:

-40° a +70° C

Peso del Producto - kgs.***Espita
(Enchufe
Macho)**

	NPT	BSP
1/2 pulgada	,172	,249
3/4 pulgada	,195	,304
1 pulgada	,222	,381
1 1/2 pulgada	,299	,626
2 pulgada	,354	,875

Dimensiones - Centímetro (L x H x W): **

	Sin Conexión	Con conexión NPT
--	--------------	---------------------

1/2"	5,0 x 6,6 x 9,6	5,0 x 7,1 x 13,9
3/4"	5,0 x 6,8 x 9,6	5,0 x 7,3 x 13,9
1"	5,0 x 7,8 x 10,4	5,0 x 8,3 x 15,7
1 1/2"	5,8 x 9,3 x 13,7	5,8 x 9,9 x 19,3
2"	6,0 x 10,6 x 13,9	8,8 x 11,4 x 20,0

Con conexión BSP

1/2"	N/A
3/4"	N/A
1"	5,3 x 7,9 x 17,0
1 1/2"	5,6 x 9,4 x 19,3
2"	6,9 x 10,7 x 19,8

* El peso con la pantalla de la computadora. El módulo de señal de salida condicionada agrega ,14 kg.

** Las dimensiones con la pantalla de la computadora. El módulo señal de salida condicionada agrega 2,8 cm a la altura.

PIEZAS

Las piezas y los accesorios siguientes de recambio están disponibles para los medidores de los Series del TM:

Parte No. Descripción

113435-1	Señal de Salida Condicionada Cableado de Módulo
113520-1	Systema de Reemplazo de la Batería
116000-1	Envase de Calibración, Grande (5 galones)
125508-03	1/2" - Kit de la Asamblea de la Turbina
125508-04	1/2" NPT, PVC - Kit de la Asamblea de la Turbina
125510-03	3/4" - Kit de la Asamblea de la Turbina
125510-04	3/4" NPT, PVC - Kit de la Asamblea de la Turbina
125512-03	1" - Kit de la Asamblea de la Turbina
125512-04	1" NPT, PVC - Kit de la Asamblea de la Turbina

125514-03	1 1/2" - Kit de la Asamblea de la Turbina
125514-04	1 1/2" NPT, PVC - Kit de la Asamblea de la Turbina
125516-03	2" - Kit de la Asamblea de la Turbina
125516-04	2" NPT, PVC - Kit de la Asamblea de la Turbina
901002-52	Anillo
125512-05	1 pulgada BSP, Kit de Conjunto de Turbina de PVC
125514-05	1 1/2 pulgada BSP, Kit de Conjunto de Turbina de PVC
125516-05	2 pulgada BSP, Kit de Conjunto de Turbina de PVC

Kits de la Computadora:

125509-03	1/2" - Kit de la Asamblea de la Computadora
125511-03	3/4" - Kit de la Asamblea de la Computadora
125513-03	1" - Kit de la Asamblea de la Computadora
125515-03	1 1/2" - Kit de la Asamblea de la Computadora
125517-03	2" - Kit de la Asamblea de la Computadora

SERVICIO

Para la consideración de la garantía, contacte con su distribuidor local. Si usted necesita ayuda adicional, contacte con el departamento de servicios al cliente de GPI:

1-888-996-3837

Usted necesitará:

- Proporcionar la información de la etiqueta en su medidor.
- Recibir un número de la autorización de devolución.
- Limpiar cualquier líquido con un chorro de agua del medidor antes de enviar a la fábrica.

Si es posible, dejar las garniciones instaladas por el cliente o una longitud amplia de la pipa pelada para la reinstalación.

⚠ PRECAUCIÓN

No devolver el metro sin la autoridad específica del departamento de servicios al cliente de GPI. Debido a las regulaciones terminantes gubernamentales GPI no aceptará los medidores para la reanudación a menos que estén totalmente libres de residuos líquidos peligrosos o inflamables, o líquidos de todos tipos durante el transporte, la dirección, y la disposición.

WEEE DIRECTIVA



La Directiva 2002/96/CE del Parlamento Europeo y del Consejo de la Unión Europea sobre Residuos de Aparatos Eléctricos y Electrónicos (RAEE) fue aprobada por el Parlamento Europeo y el Consejo de la Unión Europea en 2003. Este símbolo indica que este producto contiene

equipo eléctrico y electrónico que puede incluir baterías, tableros de circuito impresos, indicadores de cristal líquido u otros componentes que pueden estar sujetos a regulaciones locales de desecho. Por favor informese acerca de estas reglas y desecho de este producto de manera responsable.

Cumple con la Directiva RoHS (2011/65/EU)

El presente producto cumple con la Directiva RoHS del Parlamento Europeo y del Consejo sobre restricciones a la utilización de determinadas sustancias peligrosas en aparatos eléctricos y electrónicos.

Calificación ambiental: IP65

D E U T S C H

WICHTIGE HINWEISS

Die TM Series Meßinstrumente mit Wasser und anderen Chemikalien benutzen, die mit Bestandteilen kompatibel sind, die Flüssigkeit. Dieses Meßinstrument mit Kraftstoff oder anderen inkompatiblen Chemikalien nicht benutzen. TM Series Meßinstrumente sind entweder mit einem Computer für lokale elektronische Anzeige oder einer konditionierten Signalausgabebaugruppe vorhanden, die ein digitales Signal zu Kunde Schnittstellenmodul. TM Series mißt in Gallonen oder Litern. Auf den Kalibrierung abschnitt für Einzelheit beziehen.

Diese Meßinstrumente sind nicht für den Handel zulässig.

TM Series Meßinstrumente sind gegen elektronische Störung sehr empfindlich, wenn sie innerhalb 2,5 bis 5 cm einiger Elektromotoren oder anderer Quellen des elektronischen Gebrauches bedient werden.

AUFSTELLUNG

Anschlüsse

Ihr Meßinstrument inline entweder am Ende des Schlauches neben der Düse horizontal oder vertikal anbringen. Installation zu Metallschlüssen wird nicht empfohlen. Diesen Schritten folgen, um anzubringen:

1. Planen, die Turbine mit einer minimalen Länge geraden Rohres anzubringen:
 - Gegen den Strom von der Turbine, einer minimalen Länge des geraden Rohres von 10mal dem internen Durchmesser der Turbine erlauben.
 - Stromabwärts von der Turbine, eine minimale Länge des geraden Rohres von 5mal dem inneren Durchmesser der Turbine erlauben.
2. Für Spigot (Rohr) Ende nur Spachtelmasse und Lösungsmittel verwenden, die zum Kleben von PVC erlaubt sind.

Bei NPT- und BSP-Verschraubungen alle Verbindungen mit 3 oder 4 Lagen Gewindeklebeband umwickeln (optional kann Rohrgewindedichtmittel verwendet werden).

Sicherstellen, dass das Klebeband nicht den Durchflussweg stört.

3. Das Messgerät mit dem Pfeil in Richtung der Flüssigkeitsströmung befestigen.
4. Bei NPT- und BSP-Verschraubungen: Das Messgerät an den Gehäuseenden handfest anziehen. Keinen Schraubenschlüssel oder ein ähnliches Werkzeug zum Anziehen verwenden. Dies kann das Gehäuse beschädigen.

⚠️ WARNUNG

Die Kompatibilität des Werkstoffs dieses Produkts und des Prozessmediums und/oder der Umgebung müssen vor der Inbetriebsetzung berücksichtigt werden.

⚠️ WARNUNG

Produkt darf niemals außerhalb seiner veröffentlichten Vorgaben für Temperatur oder Druck betrieben werden. Siehe technische Daten für Ihr Modell.

⚠️ WARNUNG

Vor Montage oder Entfernen des Produkts sicherstellen, dass kein Druck und Durchfluss im Prozessrohr vorliegt.

⚠️ WARNUNG

Beim Anschluss des Produkts an Prozessrohrleitungen immer entsprechendes Gewindedichtmittel oder Flanschdichtungen verwenden.

⚠️ VORSICHT

Zum Schutz vor Leckage alle Rohrgewinde mit einer entsprechenden Dichtmasse abdichten. Sicherstellen, dass die Dichtmasse nicht den Durchflussweg stört.

HINWEIS: Beim Anschluss an neue Rohraußengewinde können Grate und Bördel die Genauigkeit beeinträchtigen. Das Problem vor der Turbinenmontage beheben.

HINWEIS: Die Flanschschrauben nicht zu fest anziehen. Hierdurch kann die Dichtung in den Medienstrom gedrückt werden, wodurch die Genauigkeit des Messgeräts verringert werden kann.

⚠️ VORSICHT

Montage in der Nähe starker elektromagnetischer Felder oder starker Stromfelder wird nicht empfohlen und kann zu falschen Messwerten führen.

Konditioniertes Signal Ausgeben Baugruppenverdrahtung

Diese konditionierte Signalausgabebaugruppe kann verdrahtet werden, um einen geöffneten Kollektorsignal-Ausgang oder Welle des Quadrats 6-volt Ausgang zur Verfügung zu stellen.

Öffnen Kollektor-Signal-Ausgang

Um einen geöffneten Kollektor Ausgang zu erzielen, Bezugsbauschaaltplan 1 signalisieren. Der Klemmenblock ist auf der Rückseite des Moduls. Das Modul ist die Fabrik, die für geöffneten Kollektorsignalausgang. Zusammengebaut wird Den (820-Ohm-Minimum) Widerstand bitte zur Verfügung stellen.

10 Fuß (3 m) Kabel wird mit dem Modul. Versehen Das Kabel zur gewünschten Länge trimmen oder das Kabel wie benötigt verlängern. Abstände bis 5.000 Fuß (1,524 m) könne für geöffneten Kollektorsignalausgang erzielt werden.

Quadratischer Welle Ausgang

Um Quadratischen Welle Ausgang zu erzielen, Bezugsbauschaaltplan 2 signalisieren und einen elektronischen Digital Meßinstrument-Batterie-Installationssatz (separat verkauft) für die Batterieleistung benutzen. Der Klemmenblock und die Batterieposition sind auf der Rückseite des Moduls. Zugang wie folgt:

1. Die vier Kreuzkopfschrauben von der Frontseite des Moduls entfernen. Das Modul von der Turbine anheben.
2. Um die Klemmenblockanschlüsse zu ändern, die passenden Schrauben lösen. Die Leitungen in den korrekten Positionen wieder anschließen und die Schrauben festziehen.
3. Die Batterien anbringen. Sicherstellen, daß der positive Pfosten in der richtigen Position ist.
4. Das Modul auf das Turbinegehäuse in Position bringen. Um Feuchtigkeit Beschädigung zu vermeiden, sicherstellen daß der dichtung völlig setzt. Die vier Schrauben an der Frontseite des Moduls festziehen.

10Fuß (3m) Kabel wird mit dem Modul versehen. Das Kabel zur gewünschten Länge trimmen oder das Kabel wie benötigt verlängern.

MeßinstrumentGenauigkeit Überprüfen

Bevor Sie verwenden, die Genauigkeit des Meßinstruments überprüfen und die Kalibrierung überprüfen.

1. Überprüfen, daß es keine Luft in der Anlage gibt, indem Sie den Fluß beginnen, bis er ständig läuft. Dann, zu stoppen oder umzuleiten den Fluss mit einem Ventil oder eine Düse.
2. Das Meßinstrument ein genau bekanntes Volumen in einen genauen Behälter abgeben lassen. Für beste Resultate mit einem ununterbrochenen vollen Strom messen.
3. Das Volumen gegen die Anzeige Oder die Aufnahmeausrüstung überprüfen. Wenn die Menge, die gemessen wird, genau ist, ist weitere Kalibrierung nicht notwendig. Wenn nicht, auf den Kalibrierungsabschnitt für weitere Anweisungen beziehen.

BETRIEB

Computer-Display – Batch-und Gesamtsummen

Der Computer verwaltet zwei Summen. Der kumulierte Betrag stellt die kontinuierliche Messung und kann nicht manuell zurückgesetzt werden. Der Batch Insgesamt kann zurückgesetzt werden, fließen in einer einzigen Anwendung zu messen. Der kumulierte Betrag ist mit TOTAL 1 bezeichnet, ist Batch Total beschriftet TOTAL 2 BATCH.

Wenn der kumulierte Betrag erreicht eine Anzeige Lesung 999.999 der Computer wird ein X10-Symbol zu markieren. Dies deutet darauf hin, dass dem Betreiber eine Null an die 6 gezeigten Ziffern hinzugefügt werden. Wenn die nächste Rollover auftritt, wird der Computer ein Highlight X10-Symbol. Diese zeigt dem Bediener, dass zwei Nullen an die 6 gezeigten Ziffern hinzugefügt werden.

Drücken Sie die DISPLAY-Taste kurz, um zwischen den insgesamt 1, TOTAL 2 BATCH und FLOWRATE. Drücken Sie DISPLAY, um die kurz TOTAL 2 BATCH. Halten Sie die DISPLAY-

Taste für 3 Sekunden wieder auf die Batch-Total auf Null.

Wenn die Flüssigkeit fließt durch das Messgerät, ein kleiner Propeller-Symbol markiert ist.

Hinweis: Summierung zählt Einheiten insgesamt, ohne Unterscheidung zwischen Gallonen, Liter oder das Feld kalibriert Einheiten.

Durchfluss Funktion

Um diese Funktion, drücken Sie DISPLAY verwenden, bis FLOWRATE-Symbol erscheint. Die Fabrik eingestellten Zeit wird auf Basis des Rechts der FLOWRATE hervorgehoben werden (M = Minuten, H = Stunden, d = Tage). Wenn FLOWRATE aufgerufen wird, wird das Display um darauf hinzuweisen, Fließgeschwindigkeit.

Aktivieren Sie die Meter

Computer wird weiterhin kontinuierlich und immer bereit zu erfüllen. Der Computer ist durch Feld-powered austauschbaren Batterien. Wenn die Anzeige schwach, schwach oder die Batterie-Meldung angezeigt wird (siehe unten), müssen die Batterien ausgetauscht werden. Verweisen Sie auf die Wartung Abschnitt für Details.



Betriebs-und Kalibriersoftware

Alle Kalibrier-Informationen für den Benutzer sichtbar als Symbole in der oberen Zeile des Displays, über die Ziffern.

Alle Einheiten sind mit einer "Fabrik" Kalibrierung konfiguriert werden. Beide Gallonen und Liter stehen zur Verfügung ("GL" oder "LT" wird angezeigt). Halten Sie die Schaltfläche CALIBRATE, drücken Sie kurz DISPLAY, um zwischen Gallonen und Liter zu wechseln. Diese Fabrik-Kalibrierung (mit FAC angegeben) ist fest in den Computer programmiert und kann nicht vom Benutzer einstellbar.

HINWEIS: Ihr Computer ist möglicherweise auch andere Maßeinheiten in sie programmiert. Wenn ja, hält die Schaltfläche CALIBRATE und momentan Drücken der DISPLAY-Taste wird durch alle werkseitig eingestellt Einheiten zu wechseln. Andere mögliche Einheiten sind: IGL (Imperial Gallonen), QT (Quart), CF (Kubikmeter), CM (Kubikmeter), BL (42 gal. Barrel), CC (Kubikzentimeter) oder OZ (Unzen).

Wechseln zwischen verschiedenen Einheiten werden nicht beschädigt die Total-Inhalten. Zum Beispiel, im GL-Modus, den Computer summiert 10,00 Gallone, wenn der Benutzer schaltet in den LT, erscheint auf dem Anzeige 37,85 Liter (das gleiche Volumen, verschiedene Einheit) zu lesen.

Das "Feld" Kalibrierung kann vom Anwender eingestellt werden und kann geändert werden, oder jederzeit über das Kalibrierverfahren um nachstehend beschriebenen Abschnitt der Kalibrierung. Summen bzw. aus dem Bereich Kalibrierung Durchfluss abgeleitet werden aufgerufen, wenn der FAC-Symbol nicht mehr sichtbar in der oberen Zeile des Displays wird.

KALIBRIERUNG

Stellen Sie Sicher, Genauigkeit vor Anfang Feld Kalibrierung

Für die genauesten Resultate an einer Fließgeschwindigkeitzuführen, die gut Ihre tatsächlichen Betriebsbedingungen. Simuliert Vermeiden, mehr Flüssigkeit "zu tröpfeln" oder wiederholt den Fluß zu beginnen und zu stoppen. Dieses kann weniger genaue Kalibrierungen ergeben.

Stellen Sie Treffen die minimalen Fließgeschwindigkeitanforderungen des Meßinstruments sicher:

TM Series Meßinstrumente

½ Zoll	1 GPM (3,8 LPM)
¾ Zoll	2 GPM (7,5 LPM)
1 Zoll	5 GPM (18,8 LPM)
1 ½ Zoll	10 GPM (37,5 LPM)
2 Zoll	20 GPM (75 LPM)

Die Verwendung eines gleichmäßig zuverlässige, genaue Kalibrierung Container ist empfohlen für die genauesten Ergebnisse. Wegen der hohen Fließgeschwindigkeit, wird es stark empfohlen, daß Kalibrierung mit einer Kombination des Volumens und des Gewichts mit feine Auflösung Skalen durchgeführt wird.

Für beste Resultate sollte das Meßinstrument angebracht werden und bereinigt worden von der Luft vor Kalibrierung auffangen.

Feld Kalibrierung mit Computer-Display

Field Kalibrierung und Kalibrierung sind an der Operation Abschnitt definiert. Werkskalibrierung

Einstellungen sind in jedem Computer während der Herstellung programmiert, unter Verwendung von Wasser bei 70° C (21° C). Messwerte mit Hilfe der Factory Calibration (FAC) ist möglicherweise nicht in einigen Situationen richtig, zum Beispiel unter extremen Temperaturbedingungen, Nicht-Standard-Sanitär-Konfigurationen oder mit anderen Medien als Wasser.

Feld Kalibrierung Handlungsweisen (Korrektur-Faktor-Methode)

1. So kalibrieren, drücken und halten Sie die CALIBRATE und DISPLAY-Taste etwa 3 Sekunden, bis Sie FLdCAL. Lassen Sie beide Tasten, und Sie werden sehen, CF - 00,0. Sie befinden sich nun im Bereich der Betriebsart Kalibrierung und Werte von -99,9% auf 99,9% eingegeben werden.
2. Die +/- Position wird entweder als ein "Unterstrich"-Zeichen für Plus, oder als ein Zeichen "hyphen" für Minus. Die DISPLAY-Taste wählt die Position und die CALIBRATE-Taste schaltet diesen Charakter.
3. Die DISPLAY-Taste können dann geschoben werden, um den numerischen Positionen zu wählen. Drücken Sie die Taste, um CALIBRATE 0 bis 9 zu blättern. Geben Sie den Prozentsatz der Änderung, die Sie wollen, dass die Anzeige zu korrigieren. Wenn Sie zufrieden sind mit dem Wert, drücken Sie beide CALIBRATE und DISPLAY Tasten gleichzeitig. CALend wird angezeigt und Gerät zurück zum normalen Betrieb, abzüglich der FAC (Werkskalibrierung)-Symbol.
4. Alle aktiven Einheiten-of-Maßnahme bleiben sichtbar und wählbar - die eingegebenen Korrektur wird auf alle aktivierten Einheiten angewendet werden.
5. Um wieder auf die werkseitigen Kalibrierung (FAC), drücken und halten Sie beide CALIBRATE und DISPLAY-Taste etwa 3 Sekunden, bis FACCAL angezeigt wird. Dann Entriegelungstasten. Einheit sollte Rückkehr zum normalen Betrieb und die FAC-Symbol sichtbar.

Kalibrierung mit Konditionierter Signal-Ausgabebaugruppe

Der K-Faktor Ihres Meßinstruments erscheint auf dem Kalibrierung Report als die Zahl Impulsen pro Gallone. Der Faktor wird während der Produktion mit Wasser an 70° F (21° C)

festgestellt. Dieser K-Faktor kann für Kalibrierung "des einzelnen Punktes" verwendet werden und wird eine annehmbare Genauigkeit liefern. Jedoch können die Messwerte möglicherweise nicht genau sein, wenn Sie diese Kalibrierung Methode in einigen Situationen verwenden. Zum Beispiel, extreme Temperaturen, Nicht-Standard-Sanitär-Konfigurationen oder mit anderen Medien als Wasser.

WARTUNG

Die korrekte Behandlung und die Wartung verlängern das Leben und den Service des Meßinstruments.

Turbinenrotor

Das Meßinstrument ist praktisch wartungsfrei. Jedoch ist es wichtig, dass sich der Rotor frei bewegen kann. Das Meßinstrument sauber halten und von Verunreinigung freihalten.

Wenn der Läufer sich nicht frei dreht, ein Durchdringungsschmiermittel auf dem Läufer, der Welle und den Wellenlagern anwenden. Allen möglichen Rückstand oder Ablagerungen vom Läufer mit einer weichen Bürste oder einem kleinen Fühler entfernen. Achtgeben, daß Sie nicht den Turbinenrotor oder die Stützen beschädigen.

⚠ VORSICHT
Pressluft durch die Turbine blasen kann den Rotor beschädigen.

⚠ VORSICHT
Flüssigkeiten nicht an der Innenseite der Turbine trocknen lassen

⚠ VORSICHT
Den Rotor vorsichtig behandeln. Kleine Kratzer oder Kerben können die Genauigkeit beeinträchtigen.

BatterieAustausch

Das Computeranzeige wird durch zwei 3-Volt Lithium Batterien angetrieben, die ausgetauscht werden können, während das Meßinstrument installiert ist. Die Zwischensummen und kumulativen Gesamtsummen stellen sich auf Null

zurück, wenn die Batterien schwach werden oder entfernt worden sind. Die Fabrik- und Nacheichung bleibt erhalten.

⚠ WARNUNG
(Batterie) – Mechanischen oder elektrischen Missbrauch vermeiden. Batterien können explodieren oder Verbrennungen hervorrufen, wenn sie zerlegt, zerdrückt oder Feuer bzw. Temperaturen über 212°F (100 °C) ausgesetzt werden. Nicht kurzschließen oder verpolt anschließen. NICHT VERBRENNEN.

⚠ VORSICHT
Batterien dürfen NUR mit Satz T/N 113520-1 ersetzt werden (enthält jeweils zwei Batterien T/N 902004-2). Keine alten mit neuen Batterien mischen. Keine anderen Marken oder Technologien verwenden.

Offene Batteriezellen müssen gemäß allen einschlägigen Vorschriften entsorgt werden. Lithiumbatterien werden am Besten im vollständig oder größtenteils entladenen Zustand als nicht gefährlicher Abfall entsorgt. Die US EPA führt Lithium nicht als gefährlicher Abfall und schließt Lithium nicht als gefährlicher Abfall aus. Wenn gebrauchte Lithiumbatterien noch vollständig geladen oder nur teilweise entladen sind, können sie als reaktiver gefährlicher Abfall eingestuft werden, da unverbrauchtes Lithium in der Batterie verbleibt. Diese Batterien lassen sich ggf. als „Universalabfall“ in vielen Rechtssprechungen der USA einstufen und können daher zur Entsorgung oder Verwertung in Übereinstimmung mit den Anforderungen für Universalabfälle transportiert werden.

Wenn die Anzeige schwächer wird, leer oder die Batterie-Meldung (siehe unten), ersetzen Sie die Batterien wie folgt:



1. Die vier Kreuzschlitzschrauben von der Vorderseite des Meßinstruments entfernen und die Frontplatte von der Turbine anheben.
2. Die alten Batterien entfernen und jede mögliche Korrosion von den Klemmen säubern.

3. Neue Batterien anbringen. Überprüfen, daß der positive Pfosten in der richtigen Position ist.
4. Wenn die Batterien ausgetauscht sind, zeigt die Frontplatte "POWER ON". Die Anzeige überprüfen, um normale Funktionen sicherzustellen, bevor Sie wieder zusammenbauen.
5. Falls nötig, Batterieeinsetzung berichtigen, und die Frontplatte auf das Turbinegehäuse in Position bringen. Um Feuchtigkeitsbeschädigung zu vermeiden, überprüfen, daß der Dichtung völlig sitzt. Die vier Schrauben an der Frontplatte festziehen.

SPEZIFIKATIONEN

Eingang und Anschluß:

<u>Zentrierung (Rohr) Ende</u>	
TM050/TM050-P	½" Zeitplan 80, Zentrierung (Rohr) ende
TM075/TM075-P	¾" Zeitplan 80, Zentrierung (Rohr) ende
TM100/TM100-P	1" Zeitplan 80, Zentrierung (Rohr) ende
TM150/TM150-P	1 ½" Zeitplan 80 Zentrierung (Rohr) ende
TM200/TM200-P	2" Zeitplan 80, Zentrierung (Rohr) ende

<u>Für NPT Befestigungen</u>	
TM050-N/TM050-N-P	½ Zoll NPT
TM075-N/TM075-N-P	¾ Zoll NPT
TM100-N/TM100-N-P	1 Zoll NPT
TM150-N/TM150-N-P	1 ½ Zoll NPT
TM200-N/TM200-N-P	2 Zoll NPT

<u>BSP-Modelle:</u>	
TM100-B/TM100-B-P	1-Zoll-BSP
TM150-B/TM150-B-P	1 ½ Zoll-BSP
TM200-B/TM200-B-P	2 Zoll-BSP

DesignBaumuster: Turbine

Naßgemachte Bauteile:

Gehäuse: PVC
 Achslager: Keramik
 Welle: Hartmetall
 Läufer und Halterungen: PVDF
 Haltering: Rostfreier Stahl

Max. Funktions Druck:

225 PSIG @ 73° F
 BSP: 150 PSIG @ 73° F

U.S. Maß

Maßeinheit der Maßnahme: Gallone

FlußStrecke:

½ Zoll	1 - 10 GPM
¾ Zoll	2 - 20 GPM
1 Zoll	5 - 50 GPM
1 ½ Zoll	10 - 100 GPM
2 Zoll	20 - 200 GPM

Genauigkeit mit Computer: ± 3.0% des Lesens (Genauigkeit kann mit verbessert werden aufzungen Kalibrierung)

Betriebstemperatur: +32° zu +140° F
 (Flüssigkeit nicht innerhalb des Meßinstruments einfrieren lassen.)

SpeicherTemperatur: -40° zu +158° F

Gewicht des Produktes - lbs.:*

	Zentrierung		
	(Rohr)	NPT	BSP
½ Zoll	,38	,55	-
¾ Zoll	,43	,67	-
1 Zoll	,49	,84	,84
1 ½ Zoll	,66	1,38	1,47
2 Zoll	,78	1,78	1,93

Abmessungen - Zoll (W x H x L):**

	Ohne	Mit NPT-
	Befestigungen	Verschraubung
½"	2,0 x 2,6 x 3,8	2,0 x 2,8 x 5,5
¾"	2,0 x 2,7 x 3,8	2,0 x 2,9 x 5,5
1"	2,0 x 3,1 x 4,1	2,0 x 3,3 x 6,2
1 ½"	2,1 x 3,7 x 5,4	2,3 x 3,9 x 7,6
2"	2,4 x 4,2 x 5,5	3,5 x 4,5 x 7,9
Mit BSP-Verschraubung		
½"	-	
¾"	-	
1"	2,1 x 3,1 x 6,7	
1 ½"	2,2 x 3,7 x 7,6	
2"	2,7 x 4,2 x 7,8	

* Das Gewicht mit der Computeranzeige. Die konditionierte Signalausgabebaugruppe addiert ,14 Pfund.

** Die Maße mit der Computeranzeige. Konditionierte Signalausgabebaugruppe fügt 1,1 Zoll Höhe.

Metrisches Maß

Maßeinheit: Liter

FlußStrecke:

½ Zoll	3,8 - 38 LPM
¾ Zoll	7,6 - 76 LPM
1 Zoll	19 - 190 LPM
1 ½ Zoll	38 - 380 LPM
2 Zoll	76 - 760 LPM

Genauigkeit mit Computer: $\pm 3.0\%$ des Lesens (Genauigkeit kann mit verbessert werden auffangen Kalibrierung)

Betriebstemperatur: 0° zu $+60^\circ$ C (Flüssigkeit nicht innerhalb des Meßinstruments einfrieren lassen.)

SpeicherTemperatur: -40° zu $+70^\circ$ C

Gewicht des Produktes - kgs.: *
Zentrierung

	(Rohr)	NPT	BSP
1/2 Zoll	,172	,249	-
3/4 Zoll	,195	,304	-
1 Zoll	,222	,381	,381
1 1/2 Zoll	,299	,626	,666
2 Zoll	,354	,807	,875

Abmessungen - Zentimeter (W x H x L):**

	Ohne Befestigungen	Mit NPT-Verschraubung
1/2"	5,0 x 6,6 x 9,6	5,0 x 7,1 x 13,9
3/4"	5,0 x 6,8 x 9,6	5,0 x 7,3 x 13,9
1"	5,0 x 7,8 x 10,4	5,0 x 8,3 x 15,7
1 1/2"	5,8 x 9,3 x 13,7	5,8 x 9,9 x 19,3
2"	6,0 x 10,6 x 13,9	8,8 x 11,4 x 20,0

Mit BSP-Verschraubung

1/2"	-
3/4"	-
1"	5,3 x 7,9 x 17,0
1 1/2"	5,6 x 9,4 x 19,3
2"	6,9 x 10,7 x 19,8

* Das Gewicht mit der Computeranzeige. Die konditionierte Signalausgabebaugruppe addiert ,14 Kilogramm.

** Die Maße mit der Computeranzeige. Konditionierte Signalausgabebaugruppe fügt 2,8 Zentimeter Höhe.

TEILE

Die folgenden Ersatzteile und die Zusatzgeräte sind für die TM Series Meßinstrumente vorhanden:

Teil Nr.	Beschreibung
113435-1	Konditioniertes Signal-Ausgabebaugruppe
113520-1	Batterie AustauschInstallations-satz
116000-1	Kalibrierungsbehälter, groß (5 Gallone)
125508-03	1/2 Zoll, Turbineeinheits-installationssatz

125508-04	1/2 Zoll, NPT, PVC, Turbineeinheitsinstallations-satz
125510-03	3/4 Zoll, Turbineeinheitsinstallations-satz
125510-04	3/4 Zoll, NPT, PVC, Turbineeinheitsinstallations-satz
125512-03	1 Zoll, Turbineeinheitsinstallations-satz
125512-04	1 Zoll, NPT, PVC, Turbineeinheitsinstallations-satz
125514-03	1 1/2 Zoll, Turbineeinheitsinstallations-satz
125514-04	1 1/2 Zoll, NPT, PVC, Turbineeinheitsinstallations-satz
125516-03	2 Zoll, Turbineeinheitsinstallations-satz
125516-04	2 Zoll, NPT, PVC, Turbineeinheitsinstallations-satz
901002-52	Dichtung
125512-05	1-Zoll-BSP, PVC-Turbinenmontagesatz
125514-05	1 1/2-Zoll-BSP, PVC-Turbinenmontagesatz
125516-05	2-Zoll-BSP, PVC-Turbinenmontagesatz

Computereinheitsinstallations-satz:

125509-03	1/2 Zoll, Computereinheitsinstallations-satz
125511-03	3/4 Zoll, Computereinheitsinstallations-satz
125513-03	1 Zoll, Computereinheitsinstallations-satz
125515-03	1 1/2 Zoll, Computereinheitsinstallations-satz
125517-03	2 Zoll, Computereinheitsinstallations-satz

SERVICE

Für Garantiansprüche mit Ihrem lokalen Vertreter in Verbindung treten. Wenn Sie weitere Unterstützung benötigen, mit der GPI-Kunden-Serviceabteilung in Verbindung treten:

1-888-996-3837

Sie benötigen:

- Informationen vom Abziehbild auf Ihrem Meßinstrument zur Verfügung stellen.
- Eine Rückholermächtigungszahl empfangen.
- Jede mögliche Flüssigkeit vom Meßinstrument spülen, bevor Sie zur Fabrik versenden.

Wenn möglich, Abnehmer-angebrachte Befestigungen oder eine reichliche Länge des Rohres für Wiedereinbau belassen.

⚠ VORSICHT

Das Meßinstrument nicht ohne die spezifische Berechtigung der GPI-Kundendienstabteilung zurückbringen. Wegen der strengen Regelungen des Transportes, der Behandlung und der Beseitigung der gefährlichen oder feuergefährlichen Flüssigkeiten, nimmt GPI nicht Meßinstrumente für Überarbeitung an, es sei denn, dass sie vom flüssigen Überrest vollständig frei sind.

WEEE RICHTLINIE



Der Richtlinie 2002/96/EG über Elektro- und Elektronik-Altgeräte (WEEE) des Europäischen Parlaments bzw. des EU-Ministerrats. Dieses symbol zeigt an, daß dieses Produkt elektrische und elektronische Ausrüstung, die Batterien mit einschließen kann, Printplatte verschalt, Flüssigkristall-Sichtanzeigen oder andere Bestandteile enthält, die abhängig von Einheimischvergeudung Regelungen sein können. Bitte verstehen Sie jene Regelungen wenn Sie dieses Produkt sich entledigen.

RoHS-Konformität (2011/65/EU)

Dieses Produkt ist mit der RoHS-Richtlinie des Europäischen Parlaments und des Rates über die Beschränkung der Verwendung bestimmter gefährlicher Stoffe in Elektro- und Elektronikgeräten konform.

Schutzart: IP65

ITALIANO

AVVISO IMPORTANTE

Usare i tester dei Series del TM con acqua ed altri prodotti chimici che sono compatibili con le parti che sono esposti a liquido. Non utilizzare questo tester con combustibile o altri prodotti chimici incompatibili. I tester di serie de TM sono disponibili con un calcolatore per visualizzazione elettronica locale, o un modulo di uscita condizionato del segnale che fornisce un segnale numerico all'apparecchiatura di collegamento del cliente. I Series di TM misura la misura con un contatore nei galloni o nei litri. Riferirsi alla sezione di taratura per i particolari.

Questi tester non sono per le applicazioni commerciali.

I tester dei Series del TM sono molto sensibili ad interferenza elettronica se sono funzionati all'interno di 1 - 2 pollici di alcuni motori elettrici o di altre fonti di uso elettronico

INSTALLAZIONE

Collegamenti

Installare il vostro tester in linea orizzontalmente o verticalmente o all'estremità del tubo flessibile adiacente all'ugello. L'installazione ai collegamenti del metallo non è suggerita. Seguire questi punti per installare:

1. Progettare installare la turbina con una lunghezza minima del tubo diritto:
 - A monte dalla turbina, concedere ad una lunghezza minima di un tubo diritto di 10 volte il diametro interno della turbina.
 - A valle dalla turbina, concedere ad una lunghezza minima di un tubo diritto di 5 volte il diametro interno della turbina.
2. Per Spigot (Tubature) Scade usare soltanto più solventi approvati per l'incollatura del PVC.

Per i raccordi NPT e BSP avvolgere tutto il raccordo con 3 - 4 giri di nastro per filetti (in alternative usare sigillante per filettature di tubazioni). Accertarsi che il nastro non sia ostacoli il percorso del fluido.

3. Collegare lo strumento orientando la freccia nel senso del flusso del fluido.

4. Per i raccordi NPT e BSP - Serrare manualmente lo strumento alle estremità degli alloggiamenti. Non usare chiavi o attrezzi simili per il serraggio. Potrebbero danneggiare l'alloggiamento.

⚠ ATTENZIONE

Prima della messa in servizio occorre valutare la compatibilità del materiale di questo prodotto e il fluido di processo e/o l'ambiente.

⚠ ATTENZIONE

Non usare mai il prodotto fuori dai limiti di temperatura o pressione specificati. Fare riferimento alle specifiche del modello interessato.

⚠ ATTENZIONE

Prima di procedere all'installazione o alla rimozione del prodotto, scaricare il fluido e la pressione dalle tubazioni di processo.

⚠ ATTENZIONE

Al collegamento del prodotto alle tubazioni di processo utilizzare sempre frenafili e/o guarnizioni per flange di tipo idoneo.

⚠ ATTENZIONE

Per evitare possibili perdite, sigillare tutte le filettature passo gas con un sigillante idoneo, accertandosi che lo stesso non ostacoli il flusso del fluido.

NOTA: in caso di collegamento a nuove filettature passo gas maschie, eventuali bave ed irregolarità possono compromettere la precisione. Eliminarle prima dell'installazione della turbina.

NOTA: non serrare eccessivamente i bulloni delle flange; questo potrebbe causare la compressione delle guarnizioni contro il flusso del fluido, riducendo la precisione dello strumento.

⚠ ATTENZIONE

L'installazione in prossimità di forti campi elettromagnetici e di campi con correnti ad alta intensità è sconsigliata e può dar luogo a letture imprecise.

Segnale Condizionato Produrre Cablaggio di Modulo

Questo modulo di segnale condizionato del può essere legato per fornire del collettore dell' segnale aperta o dell'onda del quadrato di 6-volts.

Collettore dell' Segnale Aperta

Per raggiungere Collettore dell' Segnale Aperta, Riferiscasi allo schema elettrico di riferimento 1. Il blocchetto terminali è situato dal lato posteriore del modulo. Il modulo è fabbrica montata per collettore dell' segnale aperta. Fornire prego il resistore di minimo di 820 Ohm.

Dieci piedi (3 m) di cavo è fornito del modulo. Assettare il cavo alla lunghezza voluta o estendere il cavo come necessario. Le distanze fino a 5.000 piedi (1,524 m) possono essere realizzate per l' collettore dell' segnale aperta.

Segnale dell'Onda Quadrata

Per raggiungere segnale Dell'Onda Quadrata, Riferiscasi allo schema elettrico di riferimento 2 ed usare un corredo elettronico della batteria del tester di Digital (venduto esclusivamente) per la potenza della batteria. Il blocchetto terminali e la posizione della batteria sono situati dal modulo. Accesso come segue:

1. Rimuovere le quattro viti Phillips dalla parte anteriore del modulo. Alzare il modulo dalla turbina.
2. Per cambiare i collegamenti del blocchetto terminali, allentare le viti adatte. Ricollegare i legare nelle posizioni adeguate e stringere le viti.
3. Installare le batterie. Assicurarsi che l'alberino positivo è nella posizione corretta.
4. Posizionare il modulo sull'alloggiamento della turbina. Evitare danni dell'umidità, assicurarsi che l'anello completamente è messo. Stringere le quattro viti sulla parte anteriore del modulo.

Dieci piedi (3 m) di cavo è fornito del modulo. Assettare il cavo alla lunghezza voluta o estendere il cavo come necessario.

Verificare L'Esattezza del Tester

Prima di utilizzare, controllare l'esattezza del tester e verificare la taratura.

1. Assicurarsi che non ci è aria nel sistema iniziando la quantità di fluido fino a che non funzioni costantemente. Poi, fermare o deviare il flusso con una valvola o ugelli.
2. Per mezzo del tester, misurare un volume conosciuto esatto in un contenitore esatto. Per i risultati migliori, misurare con un flusso pieno continuo.
3. Controllare il volume contro l'esposizione o l'apparecchiatura di registrazione. Se l'importo misurato è esatto, ulteriore calibratura non è necessaria. Se non, riferirsi alla sezione di taratura per ulteriori istruzioni.

FUNZIONAMENTO

Visualizzatore del Computer - Partita e Totali Cumulativi

Il computer effettua due totali. Il totale cumulativo fornisce la misura continua e non può essere ripristinato manualmente. Il totale in lotti può essere ripristinato per misurare il flusso durante il monouso. Il totale cumulato è etichettato con TOTAL 1, Batch totale è etichettato TOTAL 2 BATCH.

Quando il totale cumulato raggiunge una lettura del display di 999.999 computer metterà in evidenza l'icona X10. Ciò indica l'operatore che uno zero deve essere aggiunto il 6 cifre indicate. Quando il cambio di data successiva verifica, il computer metterà in evidenza l'icona X100. Ciò indica l'operatore che due zeri deve essere aggiunto il 6 cifre indicate.

Premere brevemente il tasto DISPLAY per passare tra il TOTAL 1, TOTAL 2 BATCH e FLOWRATE impostazioni. Premere brevemente DISPLAY per visualizzare la TOTAL 2 BATCH Tenere premuto il pulsante DISPLAY per 3 secondi per ripristinare il Batch totale a zero.

Quando è fluido che scorre attraverso il contatore, una piccola icona elica viene evidenziata.

NOTA: Totalization conta le unità totali senza differenziare fra i galloni, i litri o le unità campotatura.

Caratteristica Indice di Flusso

Per utilizzare questa funzione, premere e rilasciare DISPLAY fino FLOWRATE appare l'icona. La fabbrica di base di tempo sarà evidenziato al diritto della FLOWRATE (M = minuti, H = ore, D = giorno). Quando FLOWRATE è richiamato, il display sarà che indica la velocità di flusso.

Per Attivare il Misuratore

Computer è sempre acceso e sempre pronto a eseguire. Il computer è alimentato da batterie sostituibili campo. Quando il display diventa debole, sbiadite o il messaggio di batteria scarica viene visualizzato (vedi sotto), le batterie devono essere sostituite. Riferimento alla sezione Manutenzione per ulteriori dettagli.



Calibratura del Campo e della Fabbrica

Tutte le informazioni di calibrazione è visibile all'utente come icone sulla linea superiore del display, sopra le cifre numeriche.

Tutte le unità sono configurati con una taratura di "fabbrica". Entrambi i litri e litri sono disponibili ("GL" o "LT" verrà visualizzato). Tenendo premuto il pulsante CALIBRATE, premere brevemente DISPLAY per passare tra litri e litri. Questa calibrazione di fabbrica (indicato con FAC) è programmato in modo permanente nel computer e non è regolabile dall'utente.

NOTA: Il computer può avere altre unità di misura programmato in esso. In tal caso, tenendo premuto il pulsante CALIBRATE e per un momento premendo il pulsante DISPLAY sarà scorrere tutte le unità di fabbrica. Altre unità possibili sono: IGL (gallone imperiale), QT (Quart), CF (metri cubi), CM (metro cubo), BL (42 gal. Barile), CC (centimetro cubo) o OZ (once).

I contenuti di commutazione tra diverse unità non rovinerà la Total. Ad esempio, in modalità GL, il computer totalizza 10,00 litri, se l'utente passa alla modalità di LT, il display leggerà 37,85 litri (lo stesso volume, differenti unità).

Il “campo” di taratura può essere impostato dall’utente, e può essere cambiato o modificato in qualsiasi momento, utilizzando la procedura di taratura descritta di seguito nella sezione di calibrazione. Totali o portata derivata dalla taratura campo vengono richiamati quando l’icona FAC non è più visibile sulla riga superiore del display.

CALIBRATURA

Prima di Verificare l’Accuratezza All’inizio del Taratura di Campo

Per i risultati più esatti, erogare ad un debito che simula il più bene le vostre condizioni di gestione reali. Evitare di “gocciolare” più liquido o ripetutamente iniziare ed arrestare il flusso. Queste azioni provocheranno le calibrature meno esatte.

Vi assicurate raduno i requisiti minimi di debito del tester:

Tester di Series di TM

Tester da ½ Pollice 1 GPM (3,8 LPM)
Tester da ¾ di Pollice 2 GPM (7,5 LPM)
Tester da 1 Pollice 5 GPM (18,8 LPM)
Tester da 1 ½ Pollice 10 GPM (37,5 LPM)
Tester da 2 Pollici 20 GPM (75 LPM)

Usando un contenitore credibile e ed esatto di taratura altamente è suggerito per i risultati più esatti. Dovuto l’ alto debito, è suggerito vivamente che la calibratura è completata con una combinazione di volume e di peso usando le scale di alta risoluzione.

Per i risultati migliori, il tester dovrebbe essere installato ed eliminato l’inceppo di aria prima della taratura del campo.

Taratura di Campo con Visualizzatore del Computer

Taratura di Campo e di calibrazione di fabbrica sono definite nella sezione operativa. Impostazioni di calibrazione di fabbrica sono programmati in ogni computer durante la produzione, utilizzando l’acqua a 70° F (21° C). Letture utilizzando la taratura di fabbrica (FAC), non possono essere precisi in alcune situazioni, per esempio, in condizioni di temperatura estreme, configurazioni non standard o idraulico con liquidi diversi dall’acqua.

Procedura di Taratura di Campo (Metodo di Fattore di Correzione)

1. Per calibrare, tenere premuto il pulsante CALIBRATE e DISPLAY per circa 3 secondi fino a visualizzare FLdCAL. Rilasciare entrambi i tasti e vedrete CF - 00.0. Ora siete in modalità di calibrazione in campo e di valori da -99,9% a 99,9% possono essere inseriti.
2. Il +/- posizione appare sia come un segno di sottolineatura “carattere” di più, o come un carattere “hyphen” per meno. Il tasto DISPLAY sceglie la posizione e il pulsante CALIBRATE commuta questo personaggio.
3. Il tasto DISPLAY può essere spinto a selezionare le posizioni numerico. Premere il pulsante CALIBRATE per passare da 0 a 9. Inserisci la percentuale di cambiamento che si desidera la visualizzazione da correggere. Quando siete soddisfatti con il valore, premere entrambi i CALIBRATE e DISPLAY i pulsanti contemporaneamente. CALEnd verrà visualizzata e l’unità tornerà al funzionamento normale, meno il icona FAC (taratura di fabbrica).
4. Tutte le unità permesso-di-misura rimangono visibili e selezionabili – la correzione è entrato sarà applicato a tutti i abilità unità.
5. Per tornare alla taratura di fabbrica (FAC), premere e tenere premuti i pulsanti di CALIBRATE e DISPLAY per circa 3 secondi fino a quando FACCAL viene visualizzato. Quindi rilasciare i pulsanti. Unità dovrebbe tornare al normale funzionamento e l’icona FAC visibili.

Calibratura con il Modulo di Segnale Condizionato Produrre

Il fattore K del vostro tester compare sul rapporto di calibratura come il numero di impulsi per il gallone. Il fattore è determinato durante la produzione usando l’acqua a 70° F (21° C). Questo fattore K può essere usato per “la calibratura del singolo punto” e fornirà un’esattezza accettabile. Tuttavia, le letture non possono essere esatte quando usate questo metodo di calibrature in alcune situazioni. Ad esempio, le condizioni di temperatura estreme, configurazioni non standard o idraulico con liquidi diversi dall’acqua.

MANUTENZIONE

Il maneggiamento e la cura adeguati estenderanno la durata ed il servizio del tester.

Rotore di Turbina

Il tester è virtualmente manutenzione-free. Tuttavia, è liberamente importante i movimenti del rotore. Mantenere il tester pulito ed esente dagli agenti inquinanti.

Se il rotore non gira liberamente, applicare un lubrificante penetrante sul rotore, sull'albero e sui cuscinetti. Rimuovere tutti i residui o depositi dal rotore usando una spazzola molle o una piccola sonda. Fare attenzione non danneggiare il rotore di turbina o i supporti.

⚠ ATTENZIONE

Appiattito fornisc tramite il complessivo della turbina ha potuto danneggiare il rotore.

⚠ ATTENZIONE

Non lasciare seccare i liquidi all'interno della turbina.

⚠ ATTENZIONE

Maneggiare il rotore con cura. Eventuali rigature o solcature, anche solo superficiali, possono pregiudicare la precisione.

Rimontaggio della Batteria

Il visualizzatore del computer è alimentato da due batterie del litio 3-volt che possono essere sostituite mentre il tester è installato. Quando le batterie vengono rimosse o di perdere il potere, la partita e totali cumulativi e il tarature di campo e di fabbrica vengono conservati.

⚠ ATTENZIONE

(Batteria) – Non esporla ad eccessivi carichi meccanici o elettrici. L'eventuale scomposizione e/o schiacciamento delle batterie o la loro esposizione a fiamme o temperature superiori a 100°F (212°C) potrebbe provocarne l'esplosione o possibili ustioni. Non provocare cortocircuiti o installarle senza rispettarne la corretta polarità. NON BRUCIARLE.

⚠ ATTENZIONE

Sostituire le batterie **SOLTANTO** con il kit codice P/N 113520-1 (ciascuno comprende due batterie codice 902004-2). Non usare contemporaneamente batterie vecchie e nuove. Non utilizzare marche o tecnologie di tipo diverso.

Smaltire le batterie a celle aperte in conformità alle normative locali. Per le batterie al litio, notevolmente o completamente scariche, è consigliabile smaltirle come rifiuti non pericolosi. L'EPA non elenca o esclude il litio dai rifiuti pericolosi. Le batterie al litio, se sono ancora completamente cariche o solo parzialmente scariche, possono essere considerate come un rifiuto pericoloso reattivo a causa del litio residuo rimasto nella batteria. Tali batterie potrebbero essere classificate come "rifiuti generici" dalle normative vigenti in numerosi Stati degli Stati Uniti e possono quindi essere spedite per lo smaltimento o il riciclaggio in conformità alle prescrizioni previste per tali rifiuti.

Se il Visualizzatore diventa debole, vuoto o il messaggio di batteria scarica viene visualizzato (vedi sotto), sostituire le batterie nel modo seguente:

LoBAtt

1. Rimuovere le quattro viti della Phillips-testa dalla faccia del tester ed alzare la piastra frontale dalla turbina.
2. Rimuovere le vecchie batterie e liberare tutta la corrosione dai terminali.
3. Installare le nuove batterie. Assicurarsi che l'alberino positivo è nella posizione corretta.
4. Quando le batterie sono sostituite, la piastra frontale alimenterà SOPRA. Controllare l'esposizione per accertare le funzioni normali hanno ripreso prima del montaggio ancora.
5. Riposizionare le batterie, se necessario e posizionare la piastra frontale sull'alloggiamento della turbina. Evitare danni dell'umidità, assicurarsi che l'anello completamente è messo. Stringere le quattro viti sulla piastra frontale.

SPECIFICHE

Ingresso e Presa:

Montaggi Spigot (Tubature) Scade	
TM050/TM050-P	1/2" Programma 80, Spigot (Tubature)
TM075/TM075-P	3/4" Programma 80, Spigot (Tubature)
TM100/TM100-P	1" Programma 80, Spigot (Tubature)
TM150/TM150-P	1 1/2" Programma 80, Spigot (Tubature)
TM200/TM150-P	2" Programma 80, Spigot (Tubature)

Montaggi del NPT

TM050-N/TM050-N-P	1/2 pollice NPT
TM075-N/TM075-N-P	3/4 pollice NPT
TM100-N/TM100-N-P	1 pollice NPT
TM150-N/TM150-N-P	1 1/2 pollice NPT
TM200-N/TM200-N-P	2 pollice NPT

Modelli BSP:

TM100-B/TM100-B-P	1 poll. BSP
TM150-B/TM150-B-P	1 1/2 poll. BSP
TM200-B/TM200-B-P	2 poll. BSP

Tipo di Disegno: Turbina

Componenti Bagnati:

Alloggiamento: PVC
Cuscinetti: Di Ceramica
Albero: Carburo di Tungsteno
Rotore e Supporti: PVDF
Fermo: Acciaio Inossidabile

Massimo Pressione Di Esercizio:

225 PSIG @ 73° F
BSP: 150 PSIG @ 73° F

Misura Degli Stati Uniti

Unità della Misura: Gallone

Gamma di Flusso:

1/2 pollice	1 - 10 GPM
3/4 pollice	2 - 20 GPM
1 pollice	5 - 50 GPM
1 1/2 pollice	10 - 100 GPM
2 pollice	20 - 200 GPM

Esattezza con il Computer: ±3.0% di lettura

(esattezza può essere migliorata con la calibratura del campo)

Temperatura di Funzionamento:

+32° a +140° F (Non lasciare che il liquido congeli all'interno del tester.)

Temperatura di Immagazzinaggio:

-40° a +158° F

Peso del Prodotto - Libbra:*

	Spigot (Tubature)	NPT	BSP
1/2 pollice	,38	,55	N/A
3/4 pollice	,43	,67	N/A
1 pollice	,49	,84	,84
1 1/2 pollice	,66	1,38	1,47
2 pollice	,78	1,78	1,93

Dimensioni - Pollici (L x H x W):**

	Senza Montaggio	Con raccordo NPT
1/2"	2,0 x 2,6 x 3,8	2,0 x 2,8 x 5,5
3/4"	2,0 x 2,7 x 3,8	2,0 x 2,9 x 5,5
1"	2,0 x 3,1 x 4,1	2,0 x 3,3 x 6,2
1 1/2"	2,1 x 3,7 x 5,4	2,3 x 3,9 x 7,6
2"	2,4 x 4,2 x 5,5	3,5 x 4,5 x 7,9
	Con raccordo BSP	
1/2"	N/A	
3/4"	N/A	
1"	2,1 x 3,1 x 6,7	
1 1/2"	2,2 x 3,7 x 7,6	
2"	2,7 x 4,2 x 7,8	

* Il peso con il visualizzatore del computer. Il modulo di segnale condizionato produrre ag-
giunge ,30 libbre.

** Le dimensioni con il visualizzatore del computer. Il modulo di segnale condizionato produrre ag-
giunge 1,1 pollice ad altezza.

Misura Metrica

Unità della Misura: Litro

Gamma di Flusso:

1/2 pollice	3,8 - 38 LPM
3/4 pollice	7,6 - 76 LPM
1 pollice	19 - 190 LPM
1 1/2 pollice	38 - 380 LPM
2 pollice	76 - 760 LPM

Esattezza con il Computer: ± 3.0% di lettura

(esattezza può essere migliorata con la calibratura del campo)

Temperatura di Funzionamento:

0° a +60° C (Non lasciare che il liquido congeli all'interno del tester.)

Temperatura di Immagazzinaggio:

-40° a +70° C

Peso del Prodotto - kgs.:

	Spigot (Tubature)	NPT	BSP
1/2 pollice	,172	,249	N/A
3/4 pollice	,195	,304	N/A
1 pollice	,222	,381	,381
1 1/2 pollice	,299	,626	,666

2 pollice ,354 ,807 ,875

Dimensioni - Centimetro (L x H x W):**

	Senza Montaggio	Con raccordo NPT
1/2"	5,0 x 6,6 x 9,6	5,0 x 7,1 x 13,9
3/4"	5,0 x 6,8 x 9,6	5,0 x 7,3 x 13,9
1"	5,0 x 7,8 x 10,4	5,0 x 8,3 x 15,7
1 1/2"	5,8 x 9,3 x 13,7	5,8 x 9,9 x 19,3
2"	6,0 x 10,6 x 13,9	8,8 x 11,4 x 20,0

Con raccordo BSP

1/2"	N/A
3/4"	N/A
1"	5.3 x 7.9 x 17.0
1 1/2"	5.6 x 9.4 x 19.3
2"	6.9 x 10.7 x 19.8

** Il peso con il visualizzatore del computer. Il modulo di segnale condizionato produrre agiungil ,14 kg.

*** Le dimensioni con il visualizzatore del computer. Il modulo di segnale condizionato produrre agiungil 2,8 centimetri ad altezza.

125512-05	1 poll. BSP, kit gruppo turbina in PVC
125514-05	1 1/2 poll. BSP, kit gruppo turbina in PVC
125516-05	2 poll. BSP, kit gruppo turbina in PVC

Corredo del Calcolatore:

125509-03	1/2 Pollice, Corredo dell'Assemblea del Calcolatore
125511-03	3/4 di Pollice, Corredo dell'Assemblea del Calcolatore
125513-03	1 Pollice, Corredo dell'Assemblea del Calcolatore
125515-03	1 1/2 Pollice, Corredo dell'Assemblea del Calcolatore
125517-03	2 Pollici, Corredo dell'Assemblea del Calcolatore

SERVIZIO

Per considerazione della garanzia, mettersi in contatto con il vostro distributore locale. Se avete bisogno di ulteriore assistenza, mettersi in contatto con il reparto di servizio del cliente di GPI a:

1-888-996-3837

Avrete bisogno di:

- Fornire le informazioni dalla decalcomania sul vostro tester.
- Ricevere un numero di ritorno di autorizzazione.
- Irrigare tutto il liquido dal tester prima della spedizione alla fabbrica.

Se possibile, lasciare i montaggi cliente-installati o una lunghezza ampia del tubo nudo per re-installazione.

ATTENZIONE

Non restituire il tester senza l'autorità specifica dal reparto di servizio del cliente di GPI. dovuto le regolazioni rigorose governare il trasporto, il maneggiamento e l'eliminazione dei liquidi pericolosi o infiammabili, GPI non accetterà i tester per la ripresa a meno che siano completamente esenti da residuo liquido.

PARTI

Le seguenti parti ed accessori di ricambio sono disponibili per i tester dei Series del TM:

Parte No. Descrizione

113435-1	Segnale Condizionato Cablaggio di Modulo
113520-1	Corredo del Rimontaggio della Batteria
116000-1	Contenitore di Taratura, Grande (5 galloni)
125508-03	1/2 Pollice, Corredo dell'Assemblea della Turbina
125508-04	1/2 Pollice, NPT, PVC, Corredo dell'Assemblea della Turbina
125510-03	3/4 di Pollice, Corredo dell'Assemblea della Turbina
125510-04	3/4 di Pollice, NPT, PVC, Corredo dell'Assemblea della Turbina
125512-03	1 Pollice, Corredo dell'Assemblea della Turbina
125512-04	1 Pollice, NPT, PVC, Corredo dell'Assemblea della Turbina
125514-03	1 1/2 Pollice, Corredo dell'Assemblea della Turbina
125514-04	1 1/2 Pollice, NPT, PVC, Corredo dell'Assemblea della Turbina
125516-03	2 Pollici, Corredo dell'Assemblea della Turbina
125516-04	2 Pollici, NPT, PVC, Corredo dell'Assemblea della Turbina
901002-52	Anello



La direttiva 2002/96/EC del Parlamento europeo e del Consiglio dell'Unione europea sui rifiuti di apparecchiature elettriche ed elettroniche (RAEE) è stato approvato dal Parlamento europeo e del Consiglio dell'Unione europea.

Questo simbolo indica che questo prodotto contiene l'apparecchiatura elettrica ed elettronica che può includere le batterie, i bordi stampati del circuito, i display a cristalli liquidi o altri componenti che possono essere conformi alle regolazioni locali di eliminazione. Prego capire quelle regolazioni e disfare di questo prodotto in un modo responsabile.

Conforme alle prescrizioni RoHS (2011/65/EU)

Questo prodotto è conforme alla Direttiva RoHS del Parlamento Europeo del Consiglio per la limitazione dell'uso di determinate sostanze pericolose nelle apparecchiature elettriche ed elettroniche.

Classificazione ambientale: IP65

NOTIFICATION IMPORTANTE

Utilisez les compteurs de Séries de TM avec l'eau et d'autres produits chimiques qui sont compatibles avec les composants qui sont exposés au fluide. N'utilisez pas ce compteur avec du carburant ou d'autres produits chimiques incompatibles. Les compteurs de la série de TM sont disponibles avec un ordinateur pour la visualisation électronique locale, ou module du signal de sortie conditionné qui fournit un signal numérique à l'équipement d'interface de client. Les Séries de TM dosent la mesure en gallons ou litres. Référez-vous à la section de calibrage pour des détails.

Ces compteurs ne sont pas légaux pour les applications commerciales.

Les compteurs de Séries de TM sont très sensibles à l'interférence électronique s'ils sont actionnés à moins de 1 à 2 pouces de quelques moteurs électriques ou d'autres sources de bruit électronique.

INSTALLATION

Raccordements

Installez votre compteur en ligne horizontalement ou verticalement ou à l'extrémité du tuyau à côté du bec. L'installation aux raccordements en métal n'est pas recommandée. Suivez ces étapes pour installer:

1. Projetez installer la turbine avec une longueur minimum de pipe droite :
 - En amont de la turbine, permettez à une longueur minimum de la pipe droite de 10 fois le dia diamètre interne de la turbine.
 - En aval de la turbine, permettez à une longueur minimum de la pipe droite de 5 fois le diamètre interne de la turbine.
2. Pour des Spigot (Pipeau) Fin employez seulement mieux habillé et les dissolvants approuvés pour le collage de PVC.

Pour les raccords NPT et BSP envelopper tous les raccords avec 3 ou 4 tours de ruban pour filetage (un produit d'étanchéité pour filets peut être utilisé en option). Vérifier que le ruban d'interfère pas avec le parcours du débit.

- Fixer le compteur avec la flèche dirigée dans le sens du débit de liquide.
- Pour les raccords NPT et BSP - Serrer le compteur à la main au niveau des extrémités du boîtier. Ne pas utiliser de clé ou d'outil similaire pour serrer. Cela risque d'endommager le boîtier.

⚠ ADVERTISSEMENT

La compatibilité du matériau de ce produit, du fluide de procédé et/ou de l'environnement doit être étudiée avant de le mettre en service.

⚠ ADVERTISSEMENT

Le produit ne doit jamais être utilisé en dehors de ses spécifications publiées de température ou de pression. Voir les spécifications pour votre modèle.

⚠ ADVERTISSEMENT

Vérifiez que le débit et la pression ont été supprimés dans le tuyau de procédé avant d'installer ou d'enlever le produit.

⚠ ADVERTISSEMENT

Utilisez toujours un mastic d'étanchéité de filetage approprié ou des joints de bride pour raccorder le produit à la tuyauterie du procédé.

⚠ ATTENTION

Pour éviter les fuites, appliquez sur tous les filetages de tuyau un produit d'étanchéité approprié. Vérifiez que le produit d'étanchéité ne pénètre pas dans le circuit d'écoulement.

NOTE : Si l'on raccorde un tuyau neuf à filetages mâles, les bavures et les boucles peuvent affecter la précision. Corrigez le problème avant d'installer la turbine.

NOTE : Ne pas trop serrer les boulons à bride. Sinon le joint sera comprimé dans le circuit d'écoulement, ce qui peut diminuer la précision du débitmètre.

⚠ ATTENTION

L'installation près de champs électromagnétiques intenses et près de champs de courant intenses n'est pas recommandée et peut entraîner des mesures imprécises.

Le Signal de Sortie Conditionné le Câblage de Module

Ce module du signal de sortie conditionné peut être installé pour fournir un signal ouvert collecteur de sortie ou un signal carré de sortie de 6-V.

Le Signal Ouvert Collecteur de Sortie

Pour obtenir un signal ouvert collecteur de sortie, référez le diagramme de câblage 1. Le bloc terminal est situé de l'arrière du module. Le module est usiné assemblée pour le signal ouvert collecteur de sortie. Fournissez la résistance (de minimum de 820 ohms).

Dix pieds (3 m) de câble est fourni avec le module. Coupez le câble à la longueur désirée ou prolongez le câble selon les besoins. Les distances jusqu'à 5.000 pieds (1,524 m) peuvent être obtenues pour le signal ouvert collecteur de sortie.

Le Signal Carré de Sortie

Pour obtenir le signal carré de sortie, référez le diagramme de câblage 2 et utilisez un kit électronique de batterie de compteur numérique (vendu séparément) pour la puissance de batterie. Le bloc terminal et l'endroit de batterie sont situés de l'arrière du module. Accès comme suit:

- Enlevez les quatre vis Phillips de l'avant du module. Soulevez le module de la turbine.
- Pour changer les raccordements du block terminal, desserrez les vis appropriées. Rebranchez les fils en les positions appropriées et serrez les vis.
- Installez les batteries. Assurez-vous que le poteau positif est en la position correcte.
- Placez le module sur le logement de la turbine. Pour éviter les dommages d'humidité, vérifiez que le rondelle est entièrement sécurisée. Serrez les quatre vis sur l'avant du module.

Dix pieds (3 m) de câble est fourni avec le module. Coupez le câble à la longueur désirée ou prolongez le câble selon les besoins.

Vérifiez l'Exactitude de Compteurs

Avant l'utilisation, vérifiez l'exactitude du compteur et vérifiez le calibrage.

1. Assurez-vous qu'il n'y a aucun d'air dans le système en commençant l'écoulement de fluide jusqu'à ce qu'il fonctionne de façon constante. Ensuite, arrêter ou détourner l'écoulement à l'aide d'une valve ou de la tuyère.
2. Mesurez un volume connu exact dans un récipient précis. Pour les meilleurs résultats, dosez avec un plein jet continu.
3. Vérifiez le volume contre l'écran ou l'équipement d'enregistrement. Si la quantité dosée est précise, le calibrage n'est pas nécessaire. Si pas, référez-vous à la section de calibrage pour des instructions complémentaires.

OPÉRATION

L'Ecran d'Ordinateur - La Groupe et les Totaux Cumulatifs

Le compteur maintient deux totaux. Le total cumulatif fournit la mesure continue et ne peut pas être manuellement remis à zéro. Le total de contrôle peut être remis à zéro pour mesurer l'écoulement pendant un à usage unique. Le total cumulé est étiqueté avec TOTAL 1, Batch totale est étiqueté TOTAL 2 BATCH.

Lorsque le total cumulé atteint une lecture de 999,999 affichage de l'ordinateur mettra l'accent sur une icône X10. Cela indique à l'opérateur d'un zéro doit être ajoutée à la 6 chiffres affichés. Lorsque le prochain retournement se produit, l'ordinateur mettra l'accent sur une icône X100. Cela indique à l'opérateur que deux zéros, il faut ajouter les 6 chiffres affichés.

Appuyer brièvement sur la touche DISPLAY pour basculer entre le TOTAL 1, TOTAL 2 BATCH lot et les de FLOWRATE. Appuyez brièvement sur DISPLAY pour afficher le TOTAL 2 BATCH. Maintenez la touche DISPLAY pendant 3 secondes pour réinitialiser le lot total à zéro.

Lorsque le liquide coule à travers le compteur, une icône de petite hélice est en surbrillance.

NOTE : Le compte totalization nombre toutes les unités sans différencier entre les gallons, les litres ou les unités champ-calibrées.

La Caractéristique du Débit

Pour utiliser cette fonction, appuyez sur la touche DISPLAY de libération avant que l'icône FLOWRATE apparaît. L'usine de définir la base de temps sera mis en évidence à la droite du débit (M = minutes, H = heures, d = jours). Cuand FLOWRATE est invoquée, l'affichage sera en indiquant le taux d'écoulement.

Optivez le Compteur

L'ordinateur est allumé en permanence et toujours prêt à accomplir. L'ordinateur est alimenté par le champ batteries remplaçables. Lorsque l'écran devient terne, sans éclat ou le message Batterie faible apparaît (voir ci-dessous), les piles doivent être remplacées. De référence de la section maintenance pour plus de détails.

LobAtt

L'étalonnage de l'Usine

Toutes les informations d'étalonnage sont visibles pour l'utilisateur sous forme d'icônes sur la ligne supérieure de l'écran, au-dessus des chiffres.

Toutes les unités sont configurées avec une "fabrique" d'étalonnage. Les deux litres et des litres sont disponibles ("GL" ou "LT" est affiché). Tout en maintenant le bouton de CALIBRATE, appuyez brièvement sur DISPLAY pour alterner entre des litres et des litres. Cette étalonnage en usine (indiqué avec AEC) est programmée de manière permanente dans l'ordinateur et n'est pas réglable par l'utilisateur.

REMARQUE: Votre ordinateur mai ont d'autres unités de mesure programmé dedans. Si c'est le cas, en tenant le bouton de CALIBRATE et en appuyant momentanément sur le bouton pour DISPLAY à travers des unités réglage d'usine tous. D'autres unités possibles sont: IGL (gallon impérial), QT (une pinte), CF (pieds cubes), CM (mètre cube), BL (42 gal. Baril), CC (centimètre cube) ou OZ (once).

Sommaire La commutation entre les différentes unités ne seront pas corrompre le Total. Par exemple, en mode GL, l'ordinateur totalise 10.00 gallons, si l'utilisateur passe à LT mode, l'affichage indiquera 37,85 litres (le même volume, autre unité).

Le champ étalonnage mai fixé par l'utilisateur, et peuvent être changés ou modifiés à tout moment en utilisant la procédure d'étalonnage décrite ci-dessous dans la section de calibrage. Certains totaux ou de débit provenant de l'étalonnage sur le terrain sont invoquées lorsque l'icône FAC n'est plus visible sur la ligne supérieure de l'écran.

CALIBRAGE

Avant de Commencer le Calibrage de Champ

Pour les résultats les plus précis, distribuez au débit qui simule mieux vos conditions de fonctionnement réelles. Évitez "de ruisseler" plus de fluide ou à plusieurs reprises de commencer et arrêter l'écoulement. Ces actions auront comme conséquence des calibrages moins précis.

Assurez-vous de répondre aux conditions minimum du débit du compteur:

Les Compteurs de Série de TM

- Compteur de 1/2 pouce 1 GPM (3,8 LPM)
- Compteur de 3/4 pouce 2 GPM (7,5 LPM)
- Compteur de 1 pouce 5 GPM (18,8 LPM)
- Compteur de 1 1/2 pouce 10 GPM (37,5 LPM)
- Compteur de 2 pouces 20 GPM (75 LPM)

L'utilisation d'un récipient uniformément sûr et précis de calibrage est fortement recommandé pour les résultats les plus précis. En raison du débit élevé, on lui recommande vivement que le calibrage de champ soit accompli avec combinaison de volume et de poids en utilisant des balances de résolution fine.

Pour les meilleurs résultats, le compteur devrait être installé et purgé d'air avant le calibrage de champ.

Calibrage de Domaine Avec l'Écran d'Ordinateur

Le calibrage de domaine et le calibrage d'usine sont définis dans la section précédente. Les arrangements de calibrage d'usine sont programmés coutumes dans chaque ordinateur pendant leur production en utilisant l'eau à 70° F (21° C). Les lectures qui emploient les courbes de calibrage standard d'usine ne peuvent pas être précises dans quelques situations. Par exemple, dans des conditions extrêmes de la température ou avec les fluides autrement que l'eau.

Champ de Calibrage (Mode de Correction du Facteur)

1. Pour étalonner, appuyez et maintenez les boutons de CALIBRATE et DISPLAY pendant environ 3 secondes jusqu'à ce que vous voyez FLdCAL. Relâchez les deux boutons et vous pourrez voir des CF - 00.0. Vous êtes maintenant en mode étalonnage sur le terrain et les valeurs de -99,9% à +99,9% peuvent être entrées.
2. La touche +/- la position apparaît soit comme un trait de soulignement "caractère" pour les articles, ou comme un caractère "hyphen" pour moins. Le bouton DISPLAY choisit la position et le bouton de CALIBRATE permet de basculer ce personnage.
3. Le bouton DISPLAY peut alors être poussé à choisir les positions numériques. Appuyez sur le bouton de CALIBRATE et défile de 0 à 9. Saisissez le pourcentage de changement que vous souhaitez que l'affichage correct. Lorsque vous êtes satisfait avec la valeur, appuyez sur les deux CALIBRATE et DISPLAY des boutons simultanément. CALend sera affiché et unité revenir à un fonctionnement normal, moins le FAC (calibrage d'usine) icône.
4. Toutes les unités ont permis de mesure restent visibles et sélectionnables – la correction entré sera appliquée à tous les permis aux unités.
5. Pour revenir à la calibration d'usine (FAC), appuyez et maintenez enfoncé les CALIBRATE et DISPLAY les boutons pendant environ 3 secondes jusqu'à ce que FACCAL est affiché. Puis boutons de déverrouillage. Unité devrait revenir à un fonctionnement normal et FAC icône visible.

Le Calibrage Avec le Signal de Sortie Conditionné

Le K-facteur de votre compteur apparaît sur le rapport de calibrage comme les nombres d'impulsions par gallon. Le facteur est déterminé pendant la production en utilisant l'eau à 70° F (21° C). Ce K-facteur peut être utilisé pour le calibrage de "Point Seul" et fournira une exactitude acceptable. Cependant, les indications ne peuvent être pas précises quand vous utilisez cette méthode de calibrage dans quelques situations. Par exemple, les conditions de température extrêmes, des configurations

non standard ou de plomberie avec d'autres fluides que l'eau.

ENTRETIEN

La manipulation et le soin appropriés prolongeront la vie et le service du compteur.

Rotor de Turbine

Le compteur est pratiquement exempt d'entretien. Cependant, il est important que le rotor bouge librement. Maintenez le compteur propre et exempt des contaminations.

Si le rotor ne tourne pas librement, appliquez un lubrifiant pénétrant sur le rotor, l'axe et les roulements. Enlevez tous les débris ou gisements du rotor en utilisant une brosse molle ou une petite sonde. Faites attention à n'endommager pas le rotor de turbine ou les appuis.

⚠ ATTENTION

Soufflage d'air comprimé à la turbine pourrait endommager le rotor.

⚠ ATTENTION

Ne laissez pas les liquides sécher à l'intérieur de la turbine.

⚠ ATTENTION

Manipulez le rotor avec précaution. De petites éraflures ou entailles peuvent affecter la précision.

Le Remplacement de la Batterie

L'écran d'ordinateur est actionné par deux batteries du lithium 3-volt qui peuvent être remplacées tandis que le compteur est installé. Quand les batteries sont enlevées ou perdue de la puissance, le lot et les totaux cumulatifs et le terrain et des étalonnages en usine sont conservés.

⚠ AVERTISSEMENT

(Batterie) – Evitez les sollicitations mécaniques ou électriques excessives. Les batteries peuvent exploser ou provoquer des brûlures si elles sont démontées, écrasées ou exposées à un feu ou à des températures dépassant 212°F (100°C). Ne les court-circuitez pas et ne les installez pas avec une polarité incorrecte. NE LES INCINÉREZ PAS.

⚠ ATTENTION

Les batteries doivent SEULEMENT être remplacées par le kit n° 113520-1 (Inclut deux batteries n° 902004-2). Ne pas mélanger les anciennes et les neuves. Ne pas utiliser d'autres marques ou technologies.

Les cellules de batterie ouvertes doivent être éliminées en respectant les réglementations locales. Les batteries au lithium peuvent être éliminées en tant que déchet non dangereux lorsqu'elles sont complètement ou presque complètement déchargées. L'agence de l'environnement (EPA) n'a pas inscrit ou exempté le lithium en tant que déchet dangereux. Si des batteries au lithium usagées sont encore complètement chargées ou ne sont que partiellement déchargées, elles peuvent être considérées comme un déchet dangereux réactif en raison du lithium non consommé restant dans la batterie. De telles batteries peuvent être qualifiées comme "déchets universels" dans de nombreuses juridictions à l'intérieur des U.S. et peuvent donc être expédiées pour élimination ou recyclage en respectant les exigences concernant les déchets universels.

Si l'affichage devient faible, blanc ou le message Batterie faible apparaît (voir ci-dessous), remplacer les piles comme suit:

LoBAtt

1. Enlevez les quatre vis de "Phillips" d'avant du compteur et soulevez et la plaque avant de la turbine.
2. Enlevez les vieilles batteries et nettoyez toute corrosion des bornes.
3. Installez les nouvelles batteries. Assurez-vous que le poteau positif est en position correcte.
4. Quand les batteries sont remplacées, la plaque actionnerait ON. Vérifiez l'affichage pour assurer des fonctions normales ont repris avant de se réunir encore.
5. Repositionnez les batteries, si nécessaire, et placez la plaque avant sur le logement de turbine. Pour éviter des dommages d'humidité, vérifiez que l'anneau entièrement sécurise. Serrez les quatre vis sur l'avant de la plaque.

CARACTÉRISTIQUES

Admission et Sortie:

Spigot (Pipeau) Fin de Modèle

TM050/TM050-N	Programme 80, Spigot (Pipeau) de 1/2"
TM075/TM075-N	Programme 80, Spigot (Pipeau) de 3/4"
TM100/TM100-N	Programme 80, Spigot (Pipeau) de 1"
TM150/TM150-N	Programme 80, Spigot (Pipeau) de 1 1/2"
TM200/TM200-N	Programme 80, Spigot (Pipeau) de 2"

Raccordements de NPT de Modèle

TM050-N/TM050-N-P	NPT de 1/2"
TM075-N/TM075-N-P	NPT de 3/4"
TM100-N/TM100-N-P	NPT de 1"
TM150-N/TM150-N-P	NPT de 1 1/2"
TM200-N/TM200-N-P	NPT de 2"

Modèles BSP:

TM100-B/TM100-B-P	1 po. BSP
TM150-B/TM150-B-P	1 1/2 po. BSP
TM200-B/TM200-B-P	2 po. BSP

Type de Plan: Turbine

Composants Mouillés:

Loger: PVC
 Coussinets: En Céramique
 Axe: Carbure de Tungstène
 Rotor Et Supports: PVDF
 Arrêteoir: Acier Inoxydable

Pression d'Utilisation Maximale:

225 PSIG @ 73° F
 BSP: 150 PSIG @ 73° F

Mésure des U.S.

Unité de Mesure: Gallon

Chaîne de Écoulement:

1/2 pouce	1 - 10 GPM
3/4 pouce	2 - 20 GPM
1 pouce	5 - 50 GPM
1 1/2 pouce	10 - 100 GPM
2 pouce	20 - 200 GPM

L'exactitude avec l'Ordinateur: ± 3.0% de la lecture (l'exactitude peut être améliorée avec le calibrage de champ)

La Température de Fonctionnement:

+32° à +140° F (Ne laissez pas le fluide de geler à l'intérieur du compteur.)

La Température de Stockage:

-40° à +158° F

Les Poids de Produit - lbs.:*

Spigot (Pipeau)	NPT	BSP
1/2 pouce	,38	,55 N/A
3/4 pouce	,43	,67 N/A
1 pouce	,49	,84
1 1/2 pouce	,66	1,38 1,47
2 pouce	,78	1,78 1,93

Les Dimensions - Pouces (W x H x L):**

	Sans Raccord	Avec raccord NPT
1/2"	2,0 x 2,6 x 3,8	2,0 x 2,8 x 5,5
3/4"	2,0 x 2,7 x 3,8	2,0 x 2,9 x 5,5
1"	2,0 x 3,1 x 4,1	2,0 x 3,3 x 6,2
1 1/2"	2,1 x 3,7 x 5,4	2,3 x 3,9 x 7,6
2"	2,4 x 4,2 x 5,5	3,5 x 4,5 x 7,9

Avec raccord BSP

1/2"	N/A
3/4"	N/A
1"	2,1 x 3,1 x 6,7
1 1/2"	2,2 x 3,7 x 7,6
2"	2,7 x 4,2 x 7,8

* Le poids avec l'écran d'ordinateur. Le signal de sortie conditionné ajoute ,30 livres.

** Les dimensions avec l'écran d'ordinateur. Le signal de sortie conditionné ajoute 1,1 pouce à la hauteur.

Mesure Métrique

Unité de Mesure: Litre

Chaîne de l'Écoulement:

1/2"	3,8 - 38 LPM
3/4"	7,6 - 76 LPM
1"	19 - 190 LPM
1 1/2"	38 - 380 LPM
2"	76 - 760 LPM

L'exactitude avec l'Ordinateur: ± 3.0% de la lecture (l'exactitude peut être améliorée avec le calibrage de champ)

La Température de Fonctionnement:

0° à +60° C (Ne laissez pas le fluide de geler à l'intérieur du compteur.)

La Température de Stockage:

-40° à +70° C

Les Poids de Produit - kgs.: *

	Spigot (Pipeau)	NPT	BSP
½ inch	,172	,249	N/A
¾ inch	,195	,304	N/A
1 inch	,222	,381	,381
1 ½ inch	,299	,626	,666
2 inch	,354	,807	,875

Les Dimensions - cm (W x H x L):**

	Sans Raccord	Avec raccord NPT
½"	5,0 x 6,6 x 9,6	5,0 x 7,1 x 13,9
¾"	5,0 x 6,8 x 9,6	5,0 x 7,3 x 13,9
1"	5,0 x 7,8 x 10,4	5,0 x 8,3 x 15,7
1 ½"	5,8 x 9,3 x 13,75	8 x 9,9 x 19,3
2"	6,0 x 10,6 x 13,9	8,8 x 11,4 x 20,0

	Avec raccord BSP
½"	N/A
¾"	N/A
1"	5.3 x 7.9 x 17.0
1 ½"	5.6 x 9.4 x 19.3
2"	6.9 x 10.7 x 19.8

* Le poids avec l'écran d'ordinateur. Le signal de sortie conditionné ajoute ,14 kilogramme.

** Les dimensions avec l'écran d'ordinateur. Le signal de sortie conditionné ajoute 2,8 centimètres à la hauteur.

PIÈCES

Les pièces et les accessoires de rechange suivants sont disponibles pour les compteurs de Séries de TM :

Le Numéro

de Pièce	La Description
113435-1	Le Signal Conditionné Câblage de Module
113520-1	Kit de rechange de Batterie
116000-1	Réceptacle de Calibrage, Grand (5 gallons)
125508-03	½ pouce, Kit d'Assemblée de Turbine
125508-04	½ pouce, NPT, PVC, Kit d'Assemblée de Turbine
125510-03	¾ pouce, Kit d'Assemblée de Turbine
125510-04	¾ pouce, NPT, PVC, kit d'Assemblée de turbine
125512-03	1 pouce, Kit d'Assemblée de Turbine
125512-04	1 pouce, NPT, PVC, Kit d'Assemblée de Turbine
125514-03	1 ½ pouce, Kit d'Assemblée de Turbine
125514-04	1 ½ pouce, NPT, PVC, Kit d'Assemblée de Turbine

125516-03	2 pouces, Kit d'Assemblée de Turbin
125516-04	2 pouces, NPT, PVC, Kit d'Assemblée de Turbine
901002-52	Rondelle
125512-05	1 po BSP, Kit montage turbine PVC
125514-05	1 ½ po BSP, Kit montage turbine PVC
125516-05	2 po BSP, Kit montage turbine PVC

Kits d'Ordinateur:

125509-03	½ pouce, Kit d'Assemblée d'Ordinateur
125511-03	¾ pouce, Kit d'Assemblée d'Ordinateur
125513-03	1 pouce, Kit d'Assemblée d'Ordinateur
125515-03	1 ½ pouce, Kit d'Assemblée d'Ordinateur
125517-03	2 pouces, Kit d'Assemblée d'Ordinateur

SERVICE

Pour la considération de garantie, contactez votre distributeur local. Si vous avez besoin d'aide, contactez le service à la clientèle de GPI à :

1-888-996-3837

Vous aurez besoin:

- Fournissez les informations du décalque sur votre compteur.
- Recevez un nombre de retour d'autorisation.
- Rincez n'importe quel fluide du compteur avant l'expédition à l'usine.

S'il est possible, laissez les garnitures installées par client ou de la longueur suffisante de la pipe nue pour la réinstallation.

ATTENTION

Ne renvoyez pas le compteur sans autorité spécifique du département de service à la clientèle de GPI. En raison des règlements stricts régir le transport, la manipulation, et la disposition des liquides dangereux ou inflammables, GPI n'acceptera pas des compteurs pour la reprise à moins qu'ils soient complètement exempts de résidu liquide.

WEEE DIRECTIVE



Le Waste Electrical and Electronic Equipment (WEEE) directive (2002/96/EC) a été approuvée par le Parlement Européen et le Conseil de l'Union Européenne en 2003. Ce symbole indique que ce produit contient l'équipement électrique et électronique qui peut inclure les batteries, les cartes électroniques les affichages à cristaux liquides ou d'autres composants qui peuvent être sujets à des règlements locaux de disposition à votre endroit. Veuillez comprendre ces règlements et débarrassez-vous de ce produit d'une façon responsable.

Conformité à la directive RoHS (2011/65/EU)

Ce produit est conforme à la directive RoHS du Parlement européen et du Conseil de l'Europe concernant les limitations d'utilisation de certaines substances dangereuses dans les équipements électriques et électroniques.

Classification environnementale : IP65

Declaration of Conformity

Manufacturer's Name: Great Plains Industries, Inc.
Manufacturer's Address: 5252 East 36th Street North
Wichita, KS USA 67220-3205

Declares, that the product:
Product Name: Conditioned Signal Module
TM Series Water Meter/Pulse Out

Model Numbers: 0N-0278 TM***-B-P
TM***-P TM***-D-P
TM***-N-P TM***-F-P

*Model numbers include all combinations of an
alpha-numeric series as illustrated above.*


Conform to the following Standards:
EMC: EN 61000-6-2 (2005)
EN 61000-6-3 (2007)

Supplementary Information:

"The products comply with the requirements of the EMC Directive 2004/108/EC and RoHS 2 Directive 2011/65/EU." This product has insufficient internal volume size or pressure ratings to meet a pressure directive.

This product is not recommended for custody transfer or application where levying by consumption takes place.

I the undersigned, hereby declare that the equipment specified above conforms to the above Directive(s) and Standard(s).

Signature: 
Full Name: Victor Lukic
Position: President
Great Plains Industries, Inc.
Place: Wichita, KS USA
January 2013



5252 East 36th Street North
Wichita, KS USA 67220-3205
316-686-7361 | FAX: 316-686-6746
888-996-3837 | www.GPIimeters.net

GREAT PLAINS INDUSTRIES, INC.

Declaration of Conformity

Manufacturer's Name: Great Plains Industries, Inc.
Manufacturer's Address: 5252 East 36th Street North
Wichita, KS USA 67220-3205

Declares, that the product:

Product Name:	TM Series Water Meter	
Model Numbers:	TM050	TM200
	TM075	TM300
	TM100	TM400
	TM150	

Model numbers may include the suffix "-N", "-B", "-F" or "-D" to indicate thread or flange type.

Conform to the following Standards:

EMC:	EN 61000-6-2 (2005)
	EN 61000-6-3 (2007)

Supplementary Information:

"The products comply with the requirements of the EMC Directive 2004/108/EC and RoHS 2 Directive 2011/65/EU." This product has insufficient internal volume size or pressure ratings to meet a pressure directive.

This product is not recommended for custody transfer or application where levying by consumption takes place.

I the undersigned, hereby declare that the equipment specified above conforms to the above Directive(s) and Standard(s).

Signature:



Full Name:

Victor Lukic

Position:

President

Place:

Great Plains Industries, Inc.

Wichita, KS USA

January 2013



GPImeters.com

FLOWMETERS FOR LIQUID MEASUREMENT

P.O. BOX 1008, SPARTA, NJ 07871

www.gpimeters.com email: sales@gpimeters.com

Phone: 973-940-1684 Fax: 973-940-1651

1-888-722-3569

Limited Warranty Policy

Great Plains Industries, Inc. 5252 E. 36th Street North, Wichita, KS USA 67220-3205, hereby provides a limited warranty against defects in material and workmanship on all products manufactured by Great Plains Industries, Inc. This product includes a 1 year warranty. Manufacturer's sole obligation under the foregoing warranties will be limited to either, at Manufacturer's option, replacing or repairing defective Goods (subject to limitations hereinafter provided) or refunding the purchase price for such Goods theretofore paid by the Buyer, and Buyer's exclusive remedy for breach of any such warranties will be enforcement of such obligations of Manufacturer. The warranty shall extend to the purchaser of this product and to any person to whom such product is transferred during the warranty period.

The warranty period shall begin on the date of manufacture or on the date of purchase with an original sales receipt. This warranty shall not apply if:

- A. the product has been altered or modified outside the warrantor's duly appointed representative;
- B. the product has been subjected to neglect, misuse, abuse or damage or has been installed or operated other than in accordance with the manufacturer's operating instructions.

To make a claim against this warranty, contact the GPI Customer Service Department at 316-686-7361 or 888-996-3837. Or by mail at:

Great Plains Industries, Inc.
5252 E. 36th St. North
Wichita, KS, USA 67220-3205

The company shall, notify the customer to either send the product, transportation prepaid, to the company at its office in Wichita, Kansas, or to a duly authorized service center. The company shall perform all obligations imposed on it by the terms of this warranty within 60 days of receipt of the defective product.

GREAT PLAINS INDUSTRIES, INC., EXCLUDES LIABILITY UNDER THIS WARRANTY FOR DIRECT, INDIRECT, INCIDENTAL AND CONSEQUENTIAL DAMAGES INCURRED IN THE USE OR LOSS OF USE OF THE PRODUCT WARRANTED HEREUNDER.

The company herewith expressly disclaims any warranty of merchantability or fitness for any particular purpose other than for which it was designed.

This warranty gives you specific rights and you may also have other rights which vary from U.S. state to U.S. state.

Note: In compliance with MAGNUSON MOSS CONSUMER WARRANTY ACT – Part 702 (governs the resale availability of the warranty terms).

***GPI* meters.com**

FLOWMETERS FOR LIQUID MEASUREMENT

P.O. BOX 1008, SPARTA, NJ 07871

www.gpimeters.com email: sales@gpimeters.com

Phone: 973-940-1684 Fax: 973-940-1651

1-888-722-3569